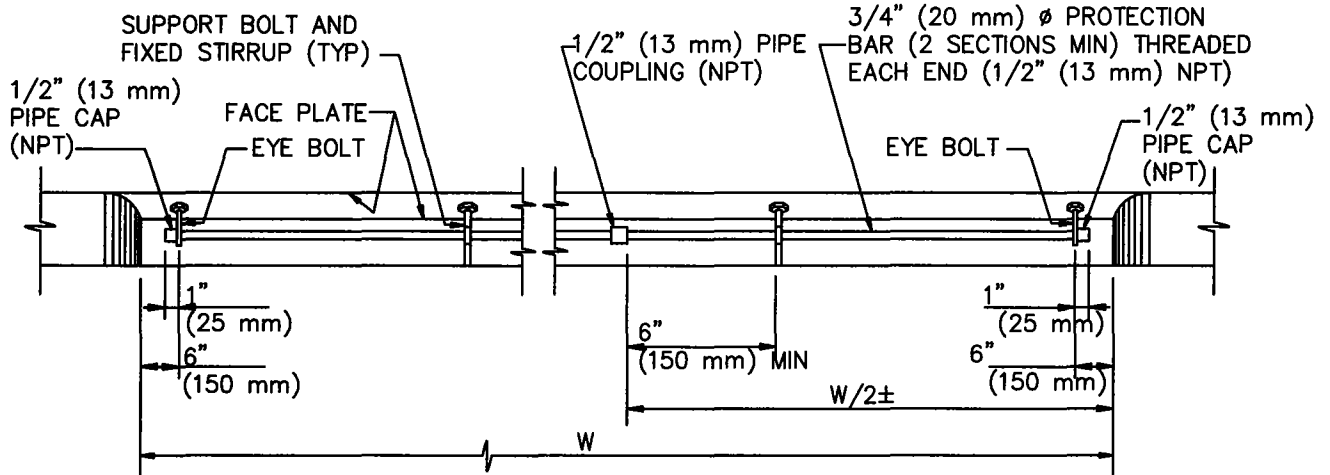
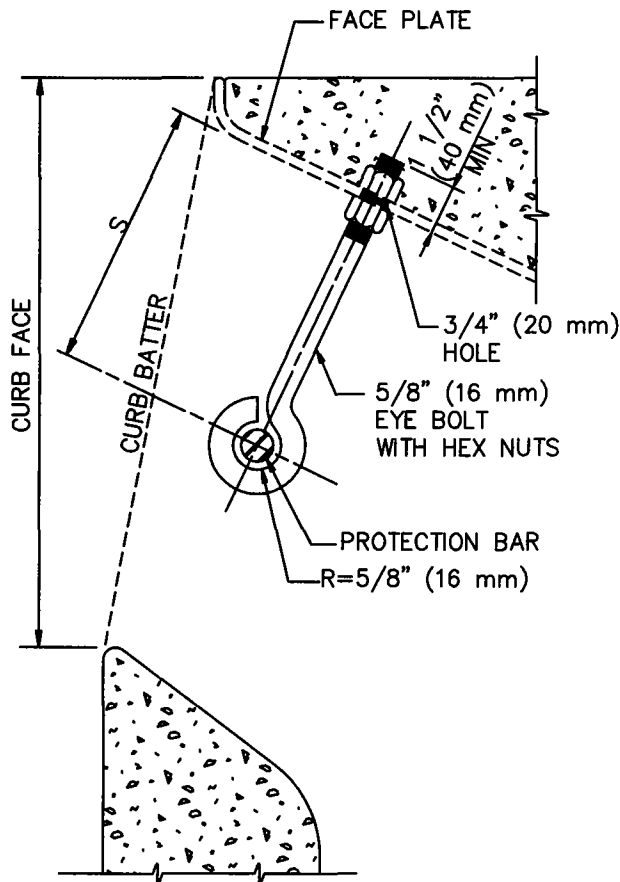


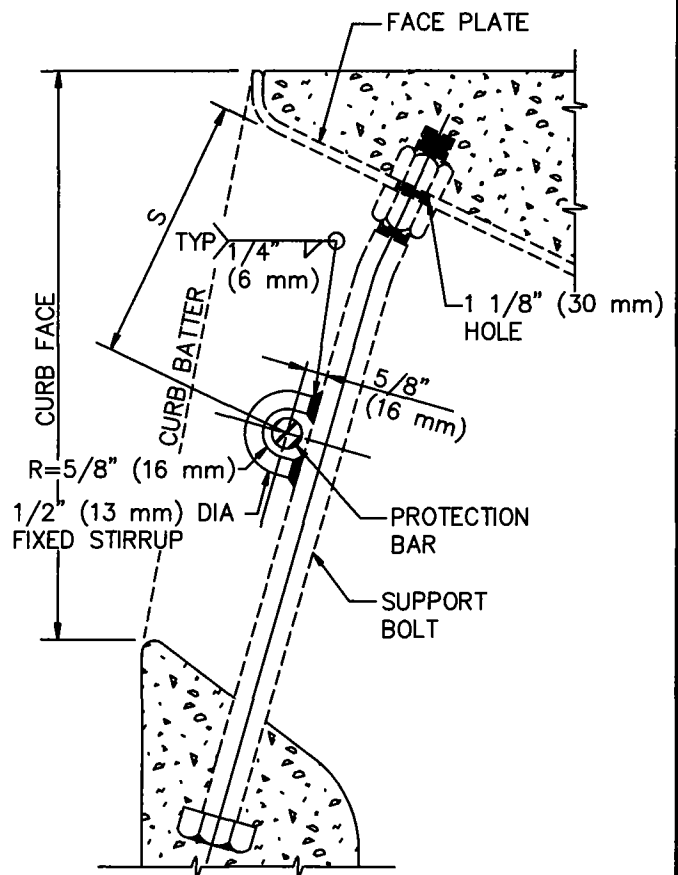
# PROTECTION BAR AND SUPPORT BOLT(S) WITH FIXED STIRRUP(S) - (TYPE B)



ELEVATION



EYE BOLT DETAIL



STIRRUP DETAIL

STANDARD PLANS FOR PUBLIC WORKS CONSTRUCTION

**CATCH BASIN FACE PLATE ASSEMBLY AND PROTECTION BAR**

STANDARD PLAN

**310-3**

SHEET 5 OF 6