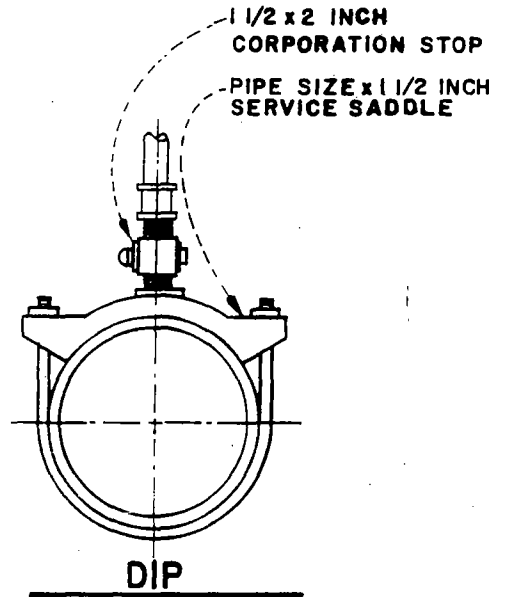
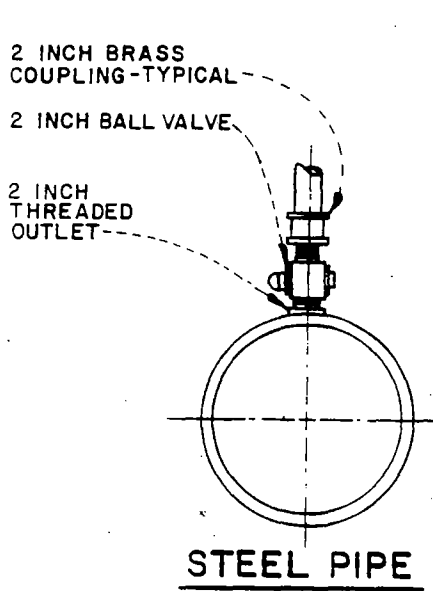


CONTINUED BELOW



NOTE:

WHEN CHLORINATION, AIR RELIEF, OR BLOW-OFF IS NO LONGER REQUIRED THE GATE BOX, LID, RISER AND ASSEMBLY SHALL BE REMOVED LEAVING THE BRASS COUPLING AT THE CORPORATION STOP, WHICH WILL BE PLUGGED WITH A 2 INCH BRASS PLUG.

LONG BEACH WATER DEPARTMENT

TEMPORARY CHLORINATION, AIR RELIEF AND BLOW OFF ASSEMBLY

DESIGNED BY HILLER	RECOMMENDED
CHECKED BY MANABAT	<i>Don Lewis</i>
DATE 4-2-87	BUREAU ENGINEER C.E. NO. 16113
SCALE NONE	APPROVED
SUPERSEDES DWG. NO.	<i>AC Lewis</i>
A5-1045	GENERAL MANAGER C.E. NO. 16644
DRAWN BY STANLEY	SHEET
	1 OF 1
	WDS-III