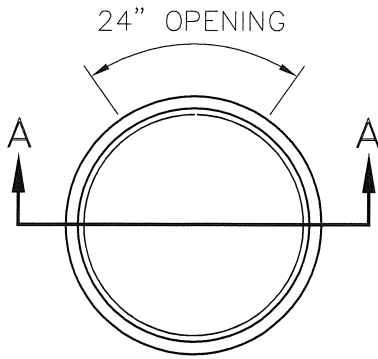
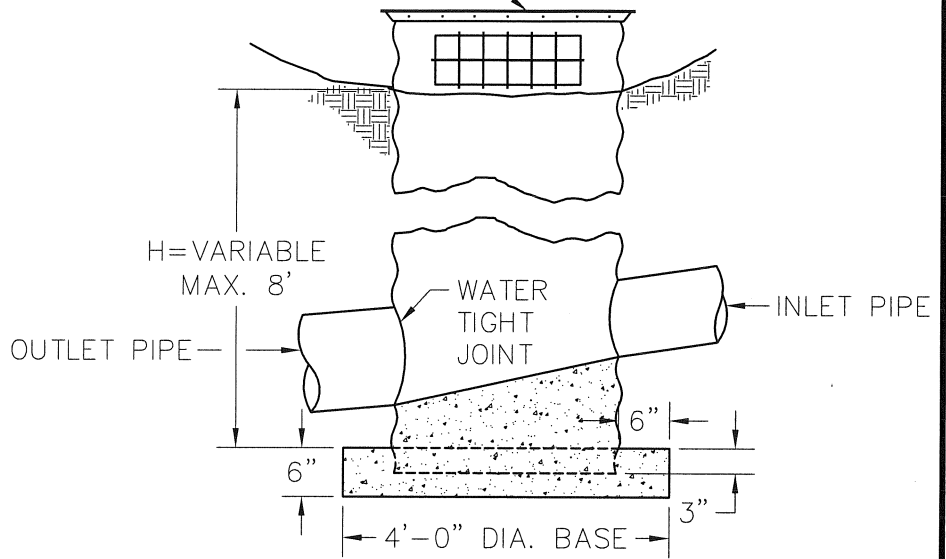


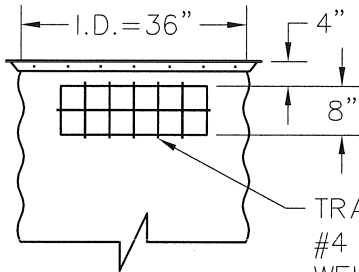
SOLID OR OPEN GRATE AS APPROVED BY PUBLIC WORKS.  
 PRE-MANUFACTURED REMOVABLE COVER INSTALLED PER  
 MANUFACTURER'S SPECIFICATIONS



PLAN



VIEW




TRASH RACK  
 #4 BARS @ 4" O.C.  
 WELD TO EXTERIOR OF INLET

SECTION A-A

NOTES

1. PIPES SHALL NOT PROTRUDE INTO BASIN BEYOND 2".
2. EXCEPT FOR INLETS USED FOR JUNCTION BOXES, BASIN FLOORS SHALL HAVE A MINIMUM SLOPE OF 4:1 FROM ALL DIRECTIONS TOWARD OUTLET PIPE.
3. GALVANIZING REQUIREMENTS: SEE CALTRANS STANDARD SPECIFICATIONS.
4. TRASH RACKS ARE TO BE FURNISHED AND INSTALLED ON ALL UPSTREAM SIDE OPENING FLOW LINES. SIDE OPENINGS SHALL CONFORM TO DITCH FLOW LINES.
5. FIELD INLET SHALL BE GALVANIZED 12-GAUGE CMP.

YUBA COUNTY DEPARTMENT OF PUBLIC WORKS	
FIELD INLET	
 APPROVED BY:	8-29-06 DATE:
408	