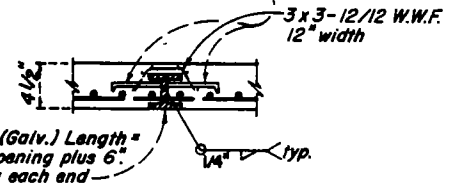
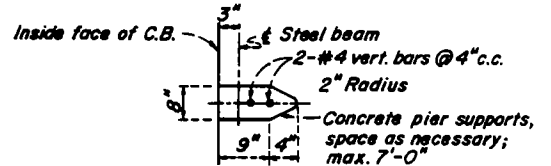


**SECTION**

1/2" x 6" anchor at midspan and at 2'-0" centers each side. Anchors may be shorter on backside of rear beam. See Note 7

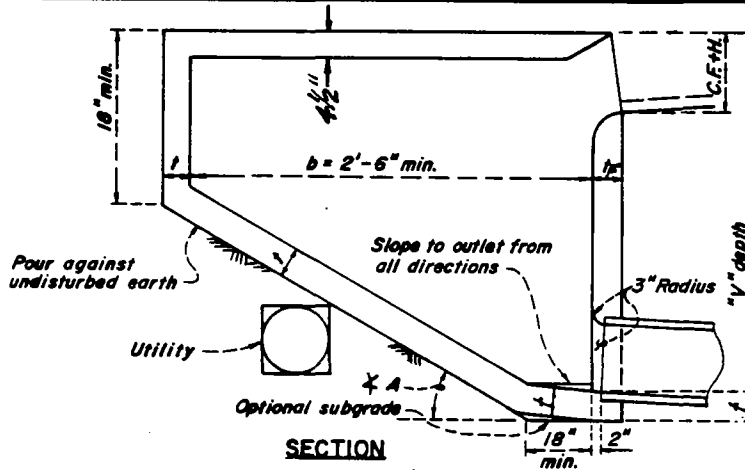


**DETAIL A**



**SECTION X-X**

**CASE I**  
**CATCH BASIN MODIFICATION WITH REAR CULVERT**  
**ENTRANCE AND/OR ENTRANCE PROJECTION**



**SECTION**

**CASE II**  
**CATCH BASIN MODIFICATION**  
**TO AVOID EXISTING UTILITY**

REVISIONS		CITY OF LONG BEACH, CALIFORNIA DEPARTMENT OF PUBLIC WORKS	STANDARD PLAN NO.
NO.	DATE		
1		<b>MODIFICATIONS FOR</b> <b>CURB OPENING CATCH BASINS</b>	608
2			
3			
4			
APPROVED BY: <i>Edward J. Gutz</i>		DATE: 6-26-89	SHEET
CITY ENGINEER R.E. No. 24233		EX. DATE 12-31-89	1 OF 2

NOTES:

1. Modifications are to be used as required by the project plans. Any additional changes are subject to the approval of the Engineer.
2. Details not shown shall be per the applicable catch basin Standard Plans.
3. Refer to the project plans for details of the utility and culvert.
4. Interfering portions of existing culverts shall be removed on a line normal to the culvert center line and a portion of the culvert reconstructed if required. Saw cutting shall be used to provide a neat joint on the exposed surface.
5. Place steps in end wall of catch basin.
6. When reinforcement is required by Catch Basin Standard Plan, it shall be placed to the configuration of the modified basin. If angle "A" exceeds 45 degrees, the sloping portion of the invert shall be reinforced as the rear wall. Length of bars shall be increased as necessary.
7. Electrically welded studs 1/2" X 8" may be used in lieu of the deformed bar anchors. If the top slabs of the catch basin and the culvert are not in the same plane, the anchors on the culvert side shall be omitted.

REVISIONS		CITY OF LONG BEACH, CALIFORNIA DEPARTMENT OF PUBLIC WORKS	STANDARD PLAN NO.
NO.	DATE		
1		<b>MODIFICATIONS FOR CURB OPENING CATCH BASINS</b>	<b>608</b>
2			
3			
4			
APPROVED BY: <u>Edward J. Kelly</u>		DATE: <u>6-26-89</u>	SHEET
CITY ENGINEER R.E. No: <u>24233</u>		EX. DATE <u>12-31-89</u>	<u>2</u> OF <u>2</u>