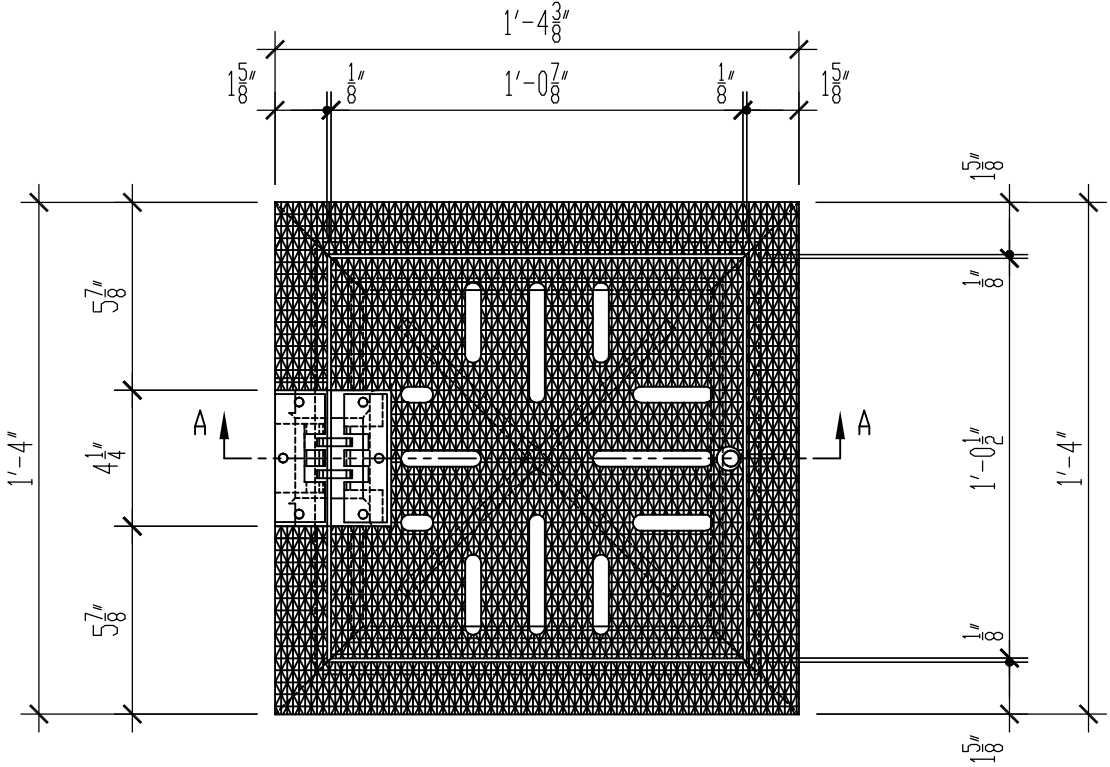


SECTION A-A

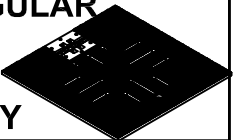


**LB 2273/X-526 PARKWAY HINGE  
RECTANGULAR FRAME AND COVER**



**LBIW Inc.**  
 2020 WEST 14TH STREET  
 LONG BEACH, CA. 90813  
 Tel No. : (562) 432.5451  
 Fax No. : (562) 435.5929  
 www.lbiw.com

PRODUCT NUMBER  
**LB 2273/X-526**  
 RECTANGULAR  
 FRAME /  
 COVER  
 ASSEMBLY



ALHAMBRA FOUNDRY COMPANY  
 REFERENCE NUMBER(S)  
 \*A-2273 FRAME AND COVER  
 \*A2273 FRAME AND COVER

LOAD RATING  
 NON-TRAFFIC RATED

SPECIFICATIONS  
 MATERIAL : CAST IRON  
 COATING : ASTM A123  
 (GALVANIZING)  
 : BLACK ASPHALTUM  
 FINISH

ESTIMATED WEIGHT  
 43 LBS

STANDARD PLAN REFERENCE  
 \*SPPWC (APWA) STANDARD  
 PLAN 151-3 TYPE 1 AND 152-3  
 \*SPPWC (APWA) STANDARD  
 PLAN 150-3 CASE 1

DRAWN	DATE
EB	01-05-23
REVISED	DATE

REFERENCE INFORMATION  
 LBIW CATALOG  
 SECTION 03

\*REVISED SEPT 2022 EB