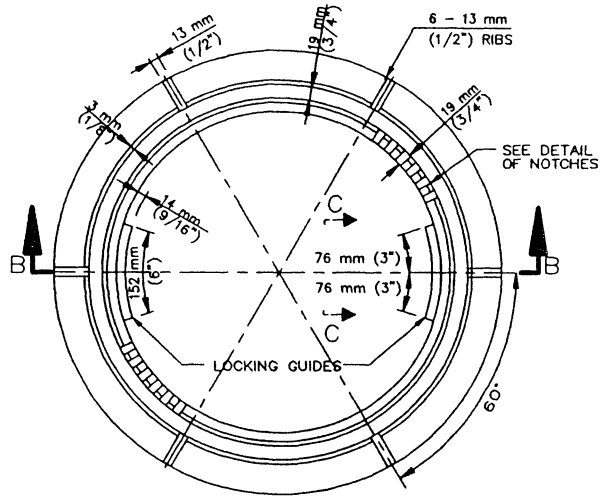
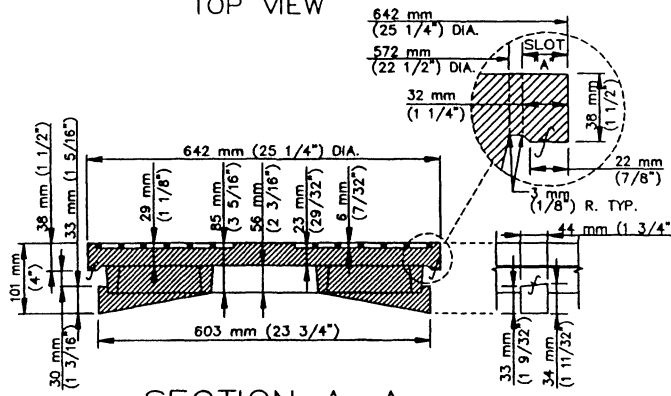


PLAN OF COVER

TOP VIEW

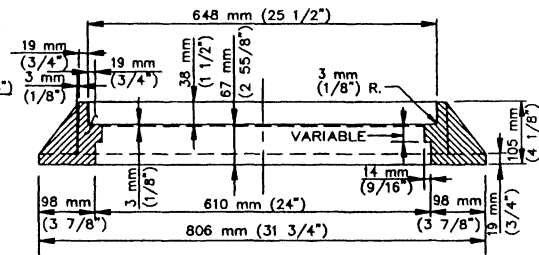


PLAN OF FRAME

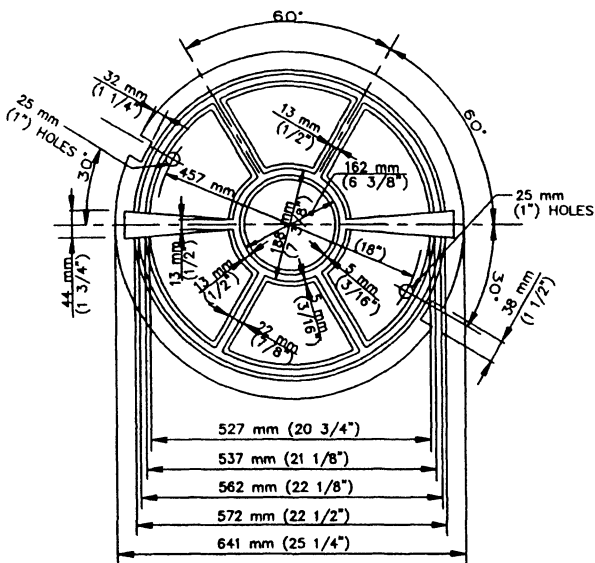


SECTION A-A

COVER LUG
END VIEW

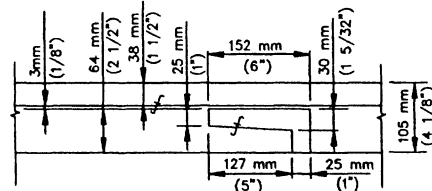


SECTION B-B

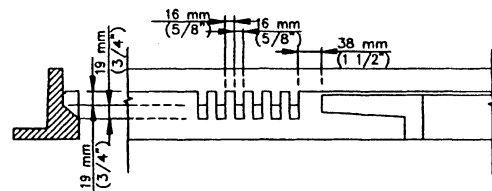


PLAN OF COVER

BOTTOM VIEW



LOCKING GUIDE
SIDE VIEW C-C



DETAIL OF NOTCHES

STANDARD PLANS FOR PUBLIC WORKS CONSTRUCTION

PROMULGATED BY THE
PUBLIC WORKS STANDARDS, INC.,
GREENBOOK COMMITTEE
1984
REV. 1993, 1996

**610 mm (24") MANHOLE FRAME
AND COVER LOCKING TYPE**

USE WITH STANDARD SPECIFICATIONS FOR PUBLIC WORKS CONSTRUCTION

STANDARD PLAN
METRIC
210-2

SHEET 1 OF 2

NOTES:

1. THE CAST IRON USED SHALL CONFORM TO ASTM A-48 CLASS 35B.
2. THE FRAME AND COVER SHALL BE COATED WITH ASPHALTUM OR BITUMINOUS PAINT AFTER TESTING AND INSPECTION.
3. COVERS SHALL BE CAST WITH THE LETTER "D" FOR STORM DRAINS AND "S" FOR SEWERS AND THE AGENCY IDENTIFICATION IN ACCORDANCE WITH INSTRUCTIONS FURNISHED BY THE AGENCY. THE LETTER "D" OR "S" SHALL BE APPROXIMATELY 65 mm (2 1/2") HIGH WITH 13 mm (1/2") LINE WIDTH AND PLACED IN THE CENTER OF THE COVER. ALL LETTERS SHALL BE FLUSH WITH THE FINISHED SURFACE OF THE COVER.
4. FOUNDRY IDENTIFYING MARK, HEAT AND DATE SHALL BE CAST ON THE BOTTOM OF THE COVER AND ON THE INSIDE OF THE FRAME.
5. IMPORTED COVERS AND FRAMES SHALL HAVE THE COUNTRY OF ORIGIN MARKING IN COMPLIANCE WITH FEDERAL REGULATIONS.
6. WEIGHT OF FRAME SHALL BE 73 kg (160 POUNDS). WEIGHT OF COVER SHALL BE 91 kg (200 POUNDS). ACTUAL WEIGHTS SHALL BE WITHIN A RANGE OF 95% TO 110%.
7. THE MANHOLE FRAME AND COVER SHALL BE INSPECTED BY THE ENGINEER PRIOR TO SHIPMENT TO THE JOB SITE. ACCEPTANCE WILL BE INDICATED BY THE AGENCY'S MARK.
8. THE PROOF-LOAD FOR TEST METHOD B OF SSPWC 206-3.2 IS 228 kN (55,300 POUNDS).
9. COVERS FOR MANHOLES LOCATED IN EASEMENTS, ALLEYS, PARKWAYS AND ALL OTHER PLACES EXCEPT PAVED STREETS SHALL BE PROVIDED WITH SOCKET SET SCREW LOCKING DEVICES. DRILL AND TAP TWO HOLES TO A DEPTH OF 25 mm (1") AT 90 DEGREES TO PICK HOLE AND INSTALL 19 mm x 19 mm (3/4" x 3/4") STAINLESS STEEL SOCKET SET SCREWS WITH 10 mm (3/8") RECESSED HEX HEAD. ALL THREADS SHALL BE N.C.

STANDARD PLANS FOR PUBLIC WORKS CONSTRUCTION

**610 mm (24") MANHOLE FRAME
AND COVER LOCKING TYPE**

STANDARD PLAN
METRIC

210-2

SHEET 2 OF 2