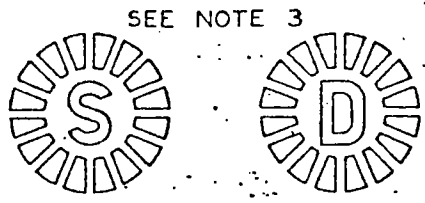
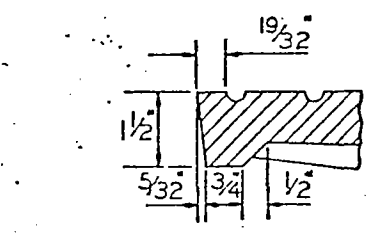
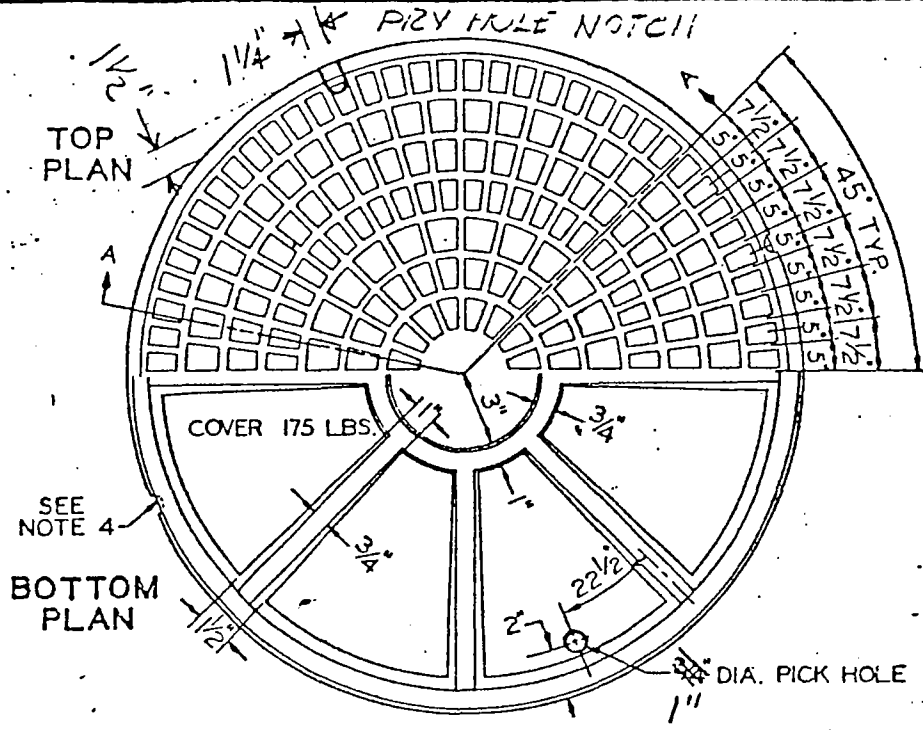


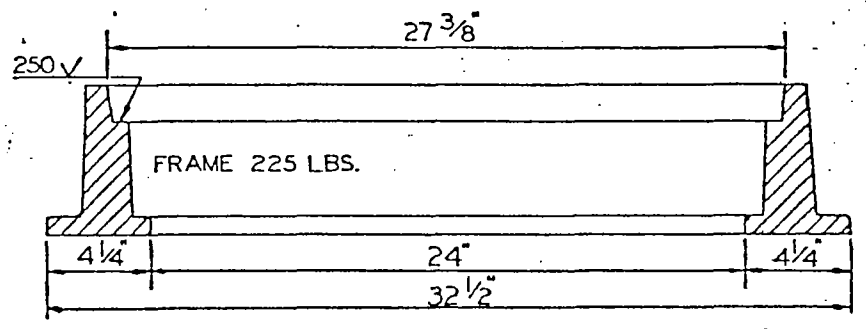
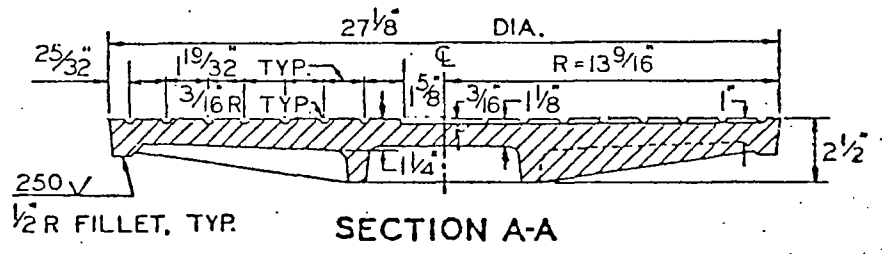
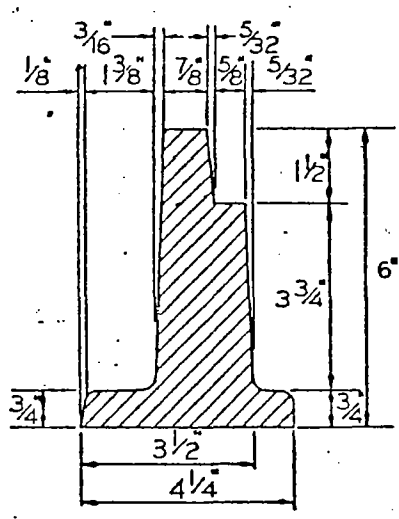
STANDARD MANHOLE FRAME AND COVER



NOTE: SURFACE OF LETTER SHALL BE FLUSH WITH FINISHED SURFACE OF COVER.



DETAILS



NOTES

1. MANHOLE FRAMES AND COVERS SHALL BE MADE OF GRAY CAST IRON CONFORMING TO ASTM A-48, CLASS 35, AND PAINTED WITH ASPHALTUM PAINT EXCEPT FOR MACHINED SURFACES.
2. FOUNDRY MARK SHALL BE SHOWN ON THE INSIDE OF THE FRAME AND ON THE BOTTOM OF THE COVER.
3. COVERS FOR USE ON SEWER STRUCTURES SHALL BEAR THE LETTER "S" AND ON STORM DRAIN STRUCTURES THE LETTER "D".
4. COVERS FOR MANHOLES LOCATED IN EASEMENTS, ALLEYS, PARKWAYS, AND ALL OTHER PLACES EXCEPT PAVED STREETS SHALL BE PROVIDED WITH ALLEN SOCKET SET SCREW LOCKING DEVICES. THE CONTRACTOR SHALL DRILL AND TAP TWO HOLES TO A DEPTH OF 1 INCH AT 90 DEGREES TO PICK HOLE AND INSTALL 3/4-BY-3/4-INCH ALLEN SOCKET SET SCREWS.
5. COVER WAS DESIGNED, TESTED AND PROMULGATED BY THE APWA-AGC JOINT COOPERATIVE COMMITTEE SOUTHERN CALIFORNIA CHAPTER.
6. THE WEIGHTS OF THE FRAME AND COVER SHALL NOT VARY MORE THAN FIVE PER CENT FROM THOSE GIVEN HEREON.

SUPERSEDES DWG. NOS. G-1577, G-1578

CITY OF PASADENA - PUBLIC WORKS DEPARTMENT

APPROVED: *[Signature]*
 DATE: 1/21/75
 DIRECTOR OF PUBLIC WORKS

REVISIONS	
MK	DATE

DRAWING NUMBER
S-302