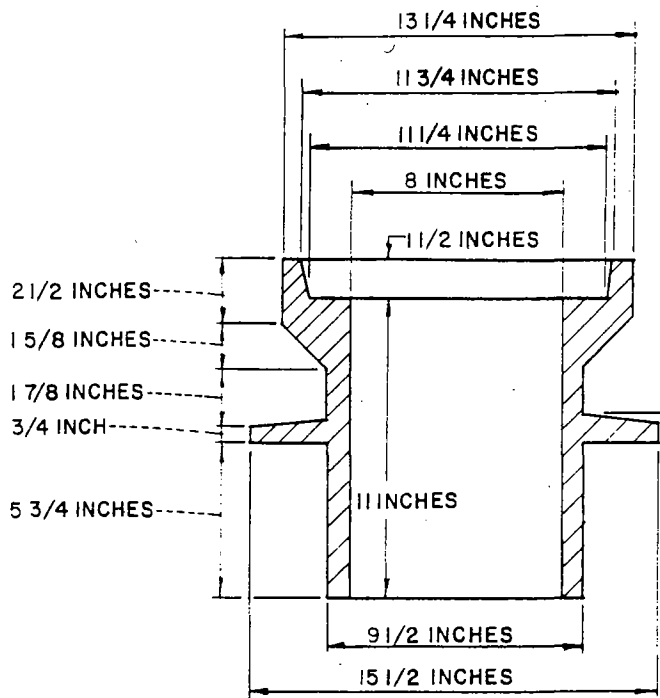
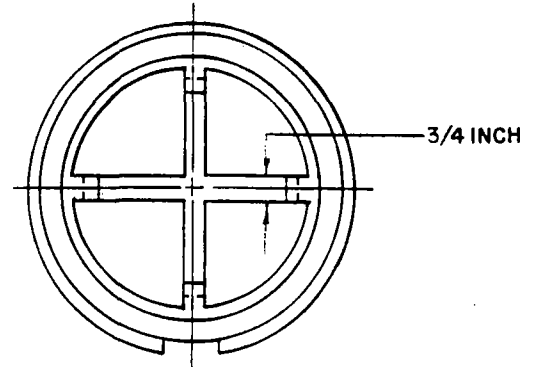


SECTION A-A

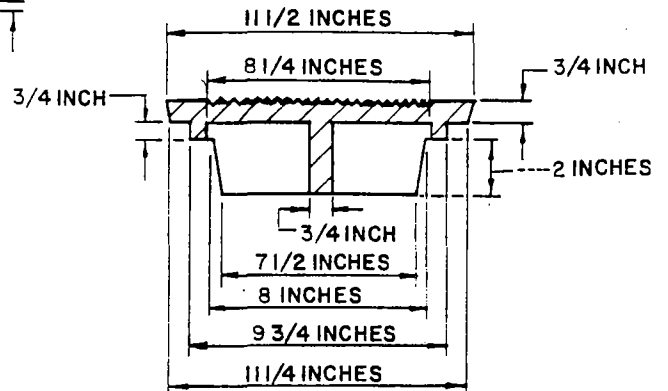
LONG BEACH WATER DEPARTMENT	
CLEANOUT	
DESIGNED BY	RECOMMENDED
CHECKED BY JUNIER	<i>R. M. Davis</i>
DATE 4-10-89	BUREAU ENGINEER C.E. NO. 19113
SCALE NONE	APPROVED
SUPERSEDES DWG. NO.	<i>W. M. Williams FOR</i>
S-SD-48	GENERAL MANAGER C.E. NO. 16644
DRAWN BY OAKS	SHEET
	1 OF 3
	WDS-506



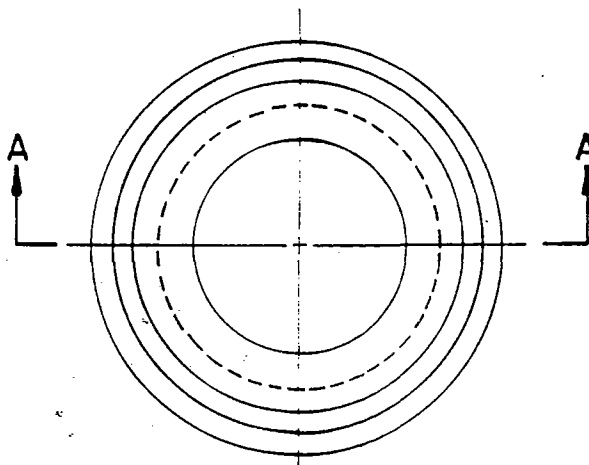
SECTION A-A



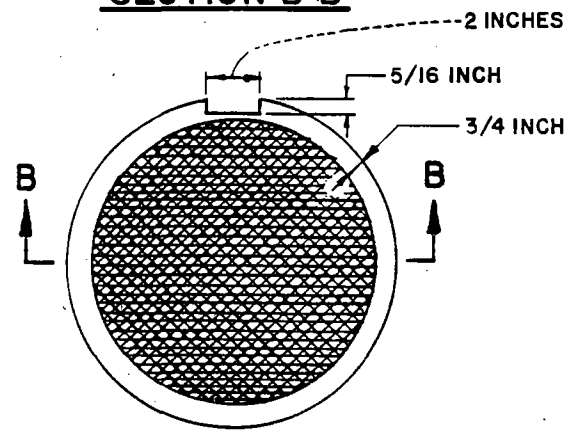
PLAN OF BOTTOM



SECTION B-B



CLEANOUT FRAME



PLAN OF TOP

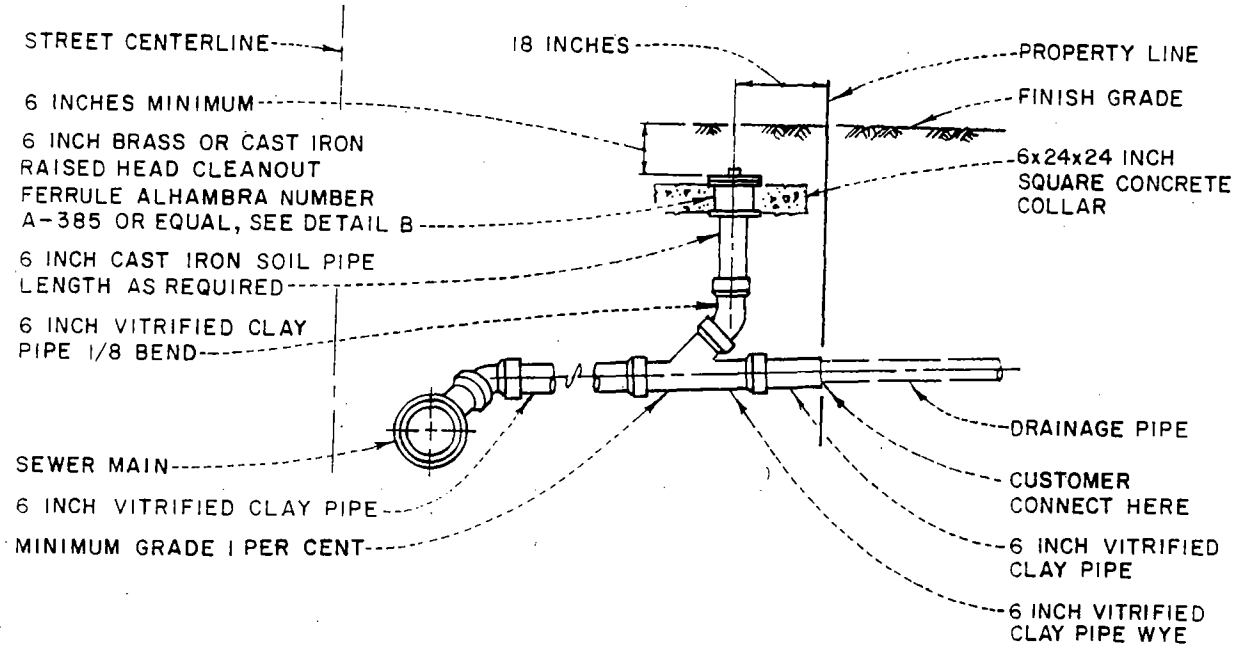
CLEANOUT COVER

LONG BEACH WATER DEPARTMENT

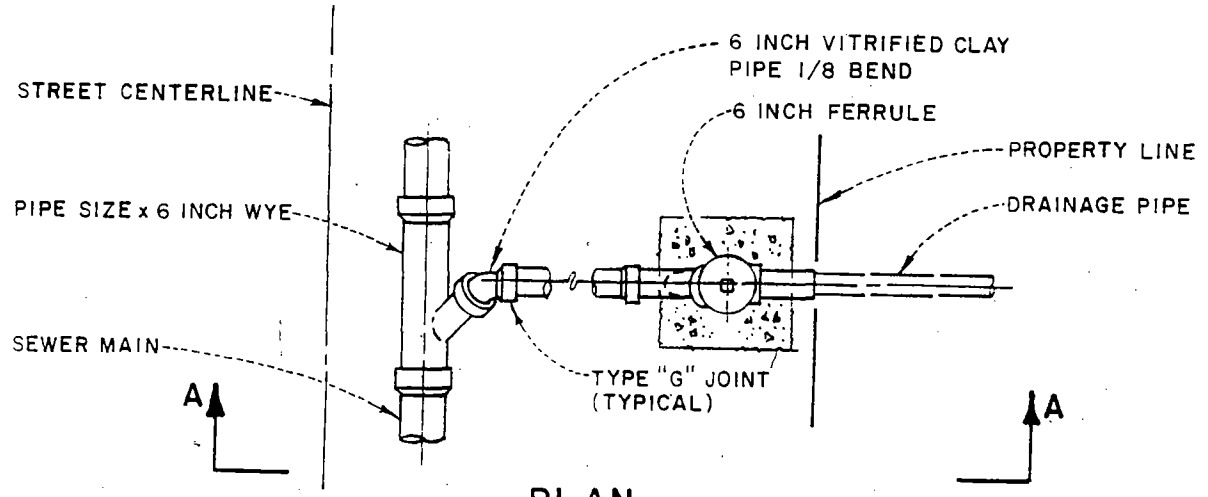
CLEANOUT FRAME AND COVER

DESIGNED BY	RECOMMENDED
CHECKED BY JUNIER	<i>Man Davis</i> BUREAU ENGINEER C.E. NO. 19113
DATE 4-25-89	APPROVED
SCALE NONE	<i>Man Davis</i> GENERAL MANAGER C.E. NO. 16644
SUPERSEDES DWG. NO. S-SD-45	SHEET
DRAWN BY OAKS	2 OF 3

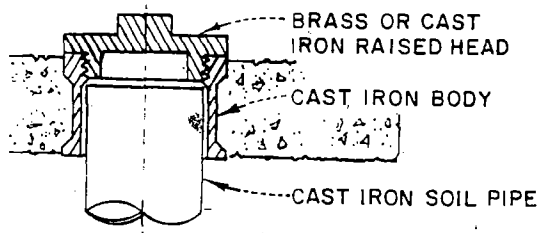
WDS-506



ELEVATION A-A



PLAN



6 INCH CLEANOUT FERRULE
DETAIL B

LONG BEACH WATER DEPARTMENT	
LATERAL CLEANOUT	
DESIGNED BY	RECOMMENDED
CHECKED BY JUNIER	<i>Wm. Lewis</i>
DATE 4-19-89	BUREAU ENGINEER C.E. NO. 19113
SCALE NONE	APPROVED
SUPERSEDES DWG. NO.	<i>Wm. Lewis</i>
NONE	GENERAL MANAGER C.E. NO. 18844
DRAWN BY IDIAN	SHEET 3 OF 3
	WDS-506