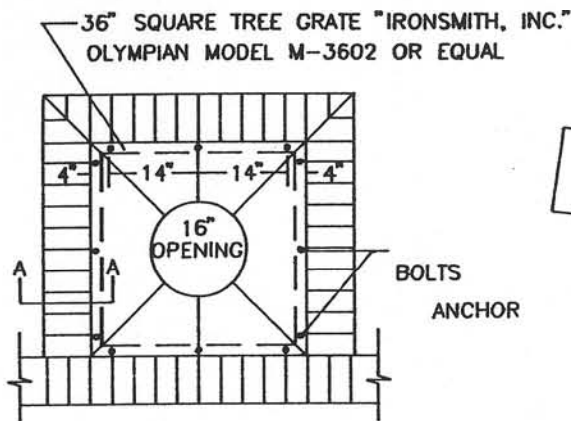


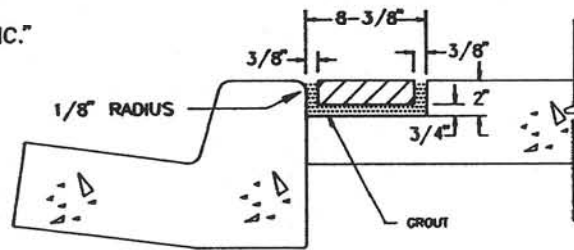
TYP. SIDEWALK BRICK BANDING

N.T.S.



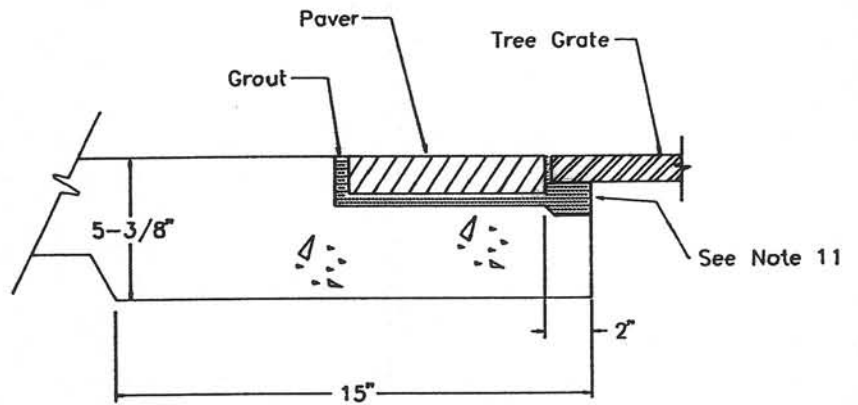
TREE WELL TYPE "A"

N.T.S.



BRICK SOLDIER COURSE

N.T.S.



SECTION A-A

N.T.S.

NOTES:

- 10. BRICK SOLDIER COURSE BANDING INTERVAL TO BE FIELD DETERMINED WITH TREE WELLS.
- 11. USE 1 FEET BY 1 INCH BY 1/10 INCH COLD ROLLED CHANNEL PAINTED WITH RUST INHIBITING FLAT BLACK PAINT AS APPROVED BY THE CITY ENGINEER.

DATE APPROVED 10/22/92

Frank V. Papp
DIR. OF PUBLIC WORKS
Gary Johnson
CITY ENGINEER

CITY OF ORANGE

PUBLIC WORKS DEPT.

OLD TOWNE
BRICK SIDEWALK STANDARD

STANDARD
PLAN NO

131

SHEET 4 of 4