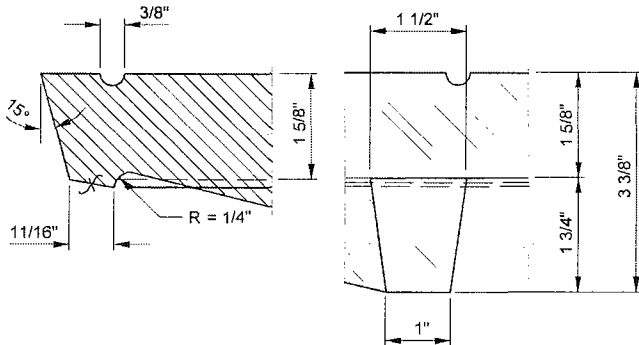
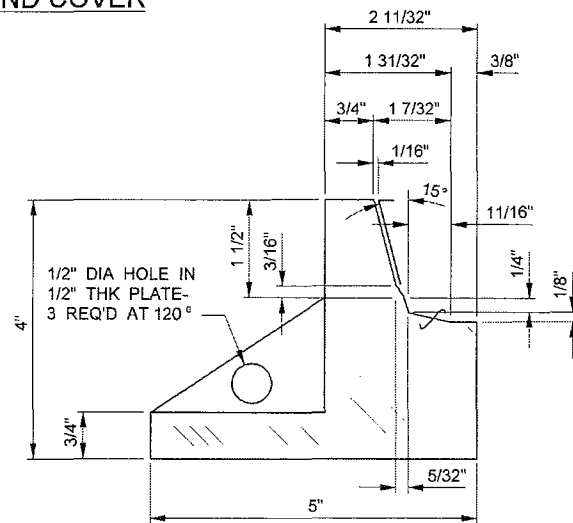


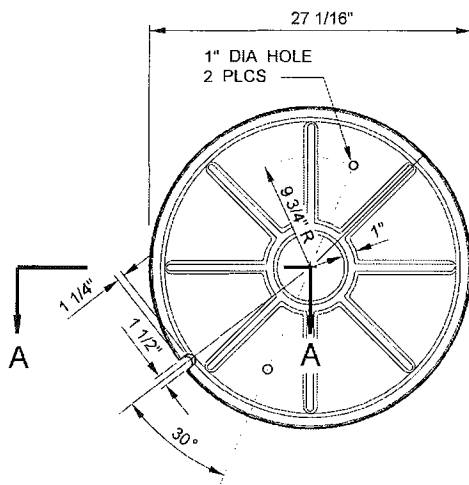
SECTION
MANHOLE FRAME AND COVER



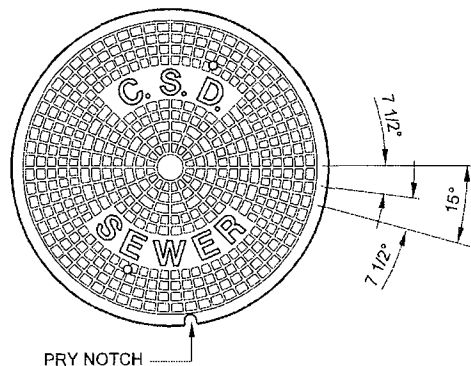
SECTION A-A



DETAIL 1



PLAN OF COVER
BOTTOM VIEW



PLAN OF COVER
TOP VIEW

NOTE:
FOR NOTES SEE S-a-207.

COUNTY SANITATION DISTRICTS OF LOS ANGELES COUNTY
OFFICE OF CHIEF ENGINEER

STEPHEN R. MAGUIN
CHIEF ENGINEER

STANDARD 24" TRAFFIC MANHOLE
FRAME AND COVER

STANDARD DRAWING
2006 EDITION
S - a - 2 2 8
SHEET 1 OF 1