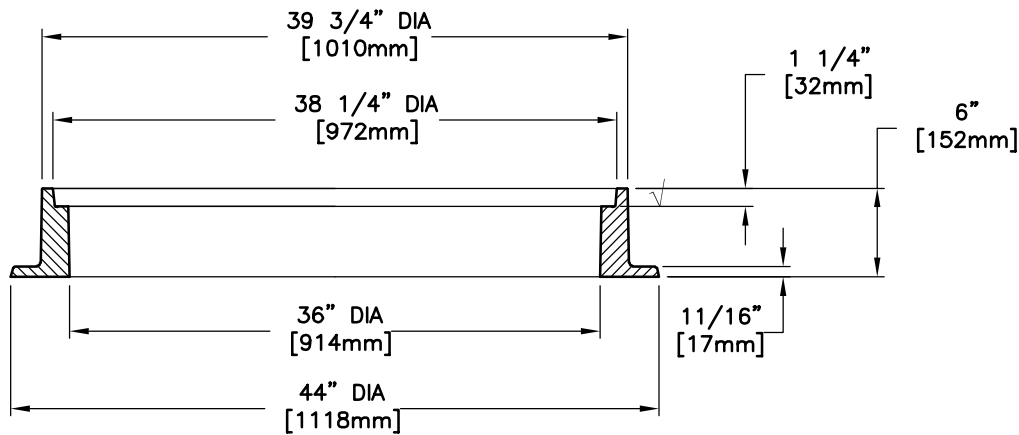


PLAN VIEW



SECTION VIEW

√ MACHINED SURFACE

EAST JORDAN
IRON WORKS, INC.
P.O. BOX 439
EAST JORDAN, MI. 49727
1-800-874-4100
FAX 231-536-4458

DRAWN DEW	DATE 03/03/03
APPROVED	DATE

MANHOLE FRAME	
LBIW X106	
PRODUCT NO. 00310610	
CATALOG NO. 3106Z	
REF. PRODUCT DRAWING 00310610	
EST. WT. FRAME: 358 LBS 162kg	
OPEN AREA N/A	
MAT'L SPEC. FRAME - GRAY IRON ASTM A48 CL35	
LOAD RATING HEAVY DUTY	