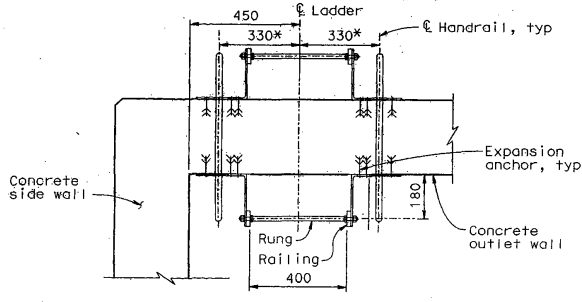




DIST	COUNTY	ROUTE	KILOMETER PROJECT TOTAL	POST PROJECT	SHEET No	TOTAL SHEETS
07	LA	91	24.82	15	15	15

Dak-Wei Yee 05-16-07
 REGISTERED CIVIL ENGINEER DATE
 REGISTERED PROFESSIONAL ENGINEER
 No. 061029
 Exp. 12-31-08
 CIVIL
 STATE OF CALIFORNIA

PLANS APPROVAL DATE
 The State of California or its officers or agents shall not be responsible for the accuracy or completeness of electronic copies of this plan sheet.
M&E/DMJM HARRIS Joint Venture
 515 South Flower Street 9th Floor
 Los Angeles, CA 90071

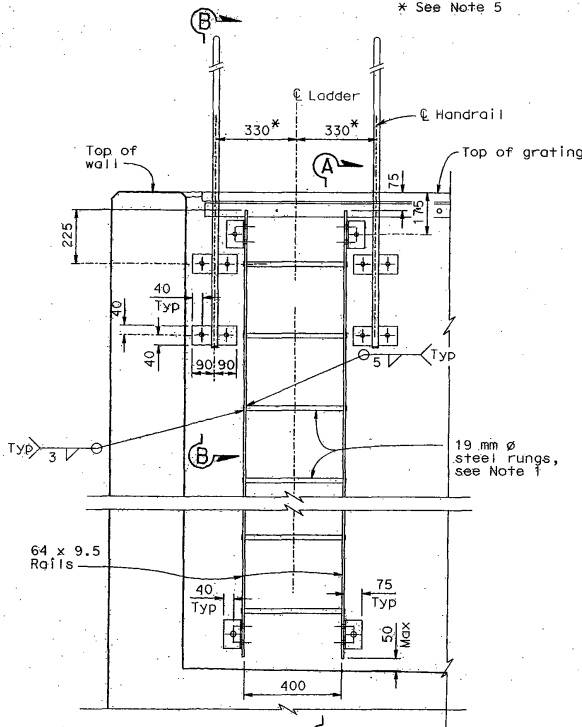


PLAN

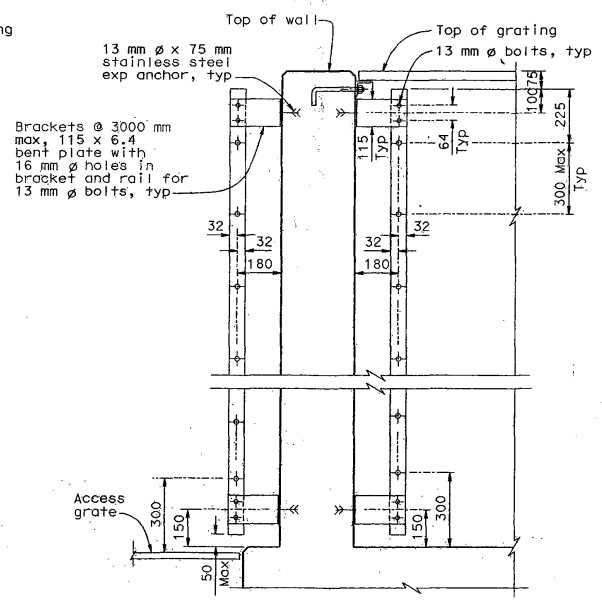
* See Note 5

NOTES:

- The distance between rungs shall not exceed 300 mm and shall be uniform throughout the length of wall.
- The ladder may be constructed in one length at the Contractor's option. When ladder rungs need to be spliced see Standard Plan D75C for Ladder Splice Plate details.
- Hardware shall be galvanized after fabrication.
- Grind exposed corners 5 mm radius.
- The ladder handrails shall be positioned and installed through the gaps between bearing bars of modified grating panels with the spacing of 660 mm approximately to each other and 330 mm approximately to centerline of the ladder as shown in the details.

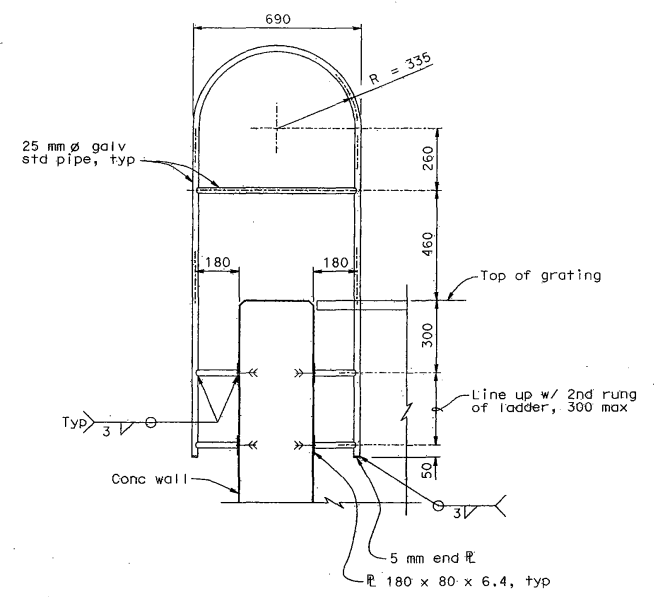


ELEVATION
LADDER DETAILS
 1:10



SECTION A - A
 1:10

NOTE: Handrail not shown for clarity.



SECTION B - B
 1:10

THE CONTRACTOR SHALL VERIFY ALL CONTROLLING FIELD DIMENSIONS BEFORE ORDERING OR FABRICATING ANY MATERIAL.

BID SET
 ALL DIMENSIONS ARE IN MILLIMETERS UNLESS OTHERWISE SHOWN

D. FORESTER DESIGN OVERSIGHT 5/16/07 PLAN DATE DESIGN DETAIL SHEET (METRIC) (REV. 3/1/99)	DESIGN BY	M. Aguilar / D. Yee	CHECKED	D. DeVera	PREPARED FOR THE STATE OF CALIFORNIA DEPARTMENT OF TRANSPORTATION	BRIDGE NO.	SR91/ARDMORE AVE GSRD		
	DETAILS BY	B. Sistrunk	CHECKED	D. DeVera		PROJECT ENGINEER		KILOMETER POST	LADDER DETAILS
	QUANTITIES BY	M. Aguilar	CHECKED	D. DeVera		CU EA		REVISION DATES (PRELIMINARY STAGE ONLY)	SHEET 11 OF 11

ORIGINAL SCALE IN MILLIMETERS FOR REDUCED PLANS

DISREGARD PRINTS BEARING EARLIER REVISION DATES

FILE => G:\Pro\ecta\60004459\10-12-Ardmore_GSRD\cadd\Struct\Sheet\11.dgn