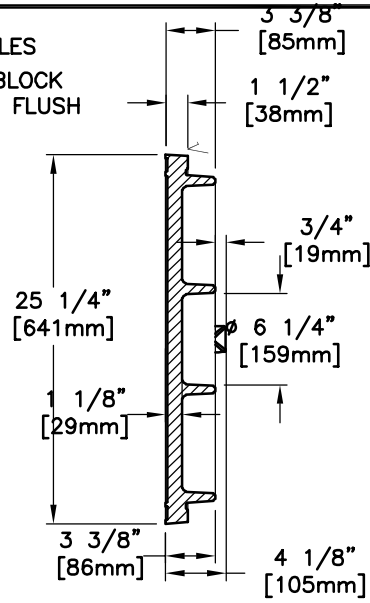
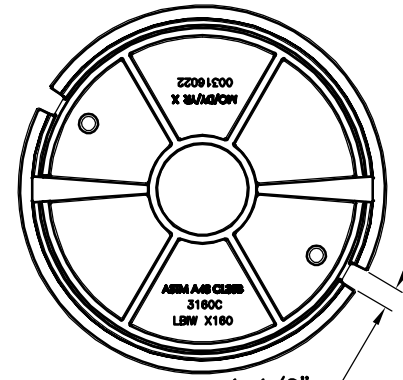


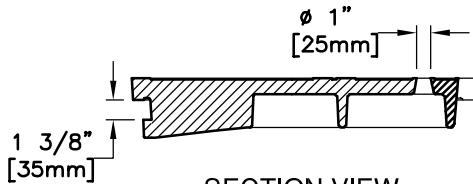
PLAN VIEW



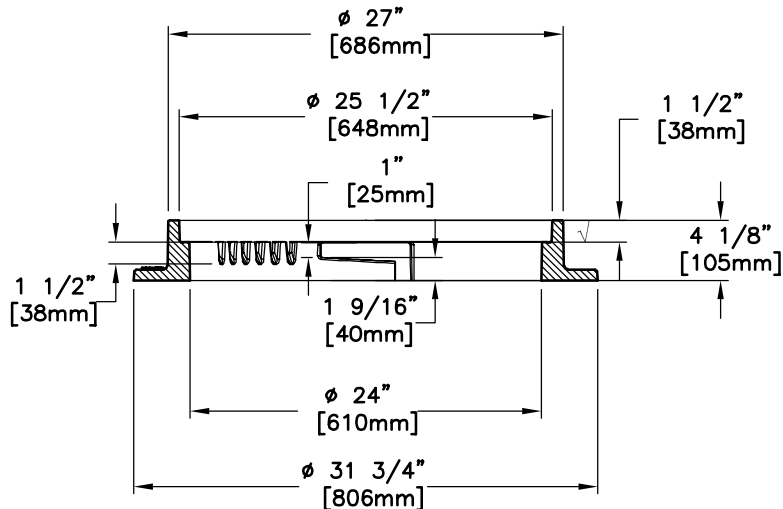
SECTION VIEW



BOTTOM VIEW



SECTION VIEW



SECTION VIEW

CONFIDENTIAL: This drawing is the property of East Jordan Iron Works, Inc. and embodies confidential information, trade secret information, and/or know how that is the property of East Jordan Iron Works, Inc. © Copyright 2007 East Jordan Iron Works, Inc.

EJW EAST JORDAN
IRON WORKS EST. 1883

800-626-4653
www.ejiw.com
MADE IN USA

PRODUCT NUMBER

00316000

CATALOG NUMBER

**3160C
3160Z**

**LOCKING MANHOLE
ASSEMBLY**

LOAD RATING

HEAVY DUTY

COATING

DIPPED

ESTIMATED WEIGHT

COVER: 200 LBS 91kg
FRAME: 155 LBS 70kg
UNIT: 355 LBS 161kg

MATERIAL SPECIFICATION

COVER - GRAY IRON
ASTM A48 CL35B
FRAME - GRAY IRON
ASTM A48 CL35B

OPEN AREA

N/A

√ DESIGNATES
MACHINED SURFACE

DRAWN
TCL

DATE
11/24/03

LAST REVISED

DATE

REFERENCE INFORMATION

00316010
00316022