

EAST JORDAN  
IRON WORKS, INC.  
P.O. BOX 439  
EAST JORDAN, MI. 49727  
1-800-874-4100  
FAX 231-536-4458

DRAWN TCL	DATE 12/16/03
APPROVED	DATE

**MANHOLE  
COVER**  
LBIW X106

PRODUCT NO.  
**00310625**

CATALOG NO.  
3106C

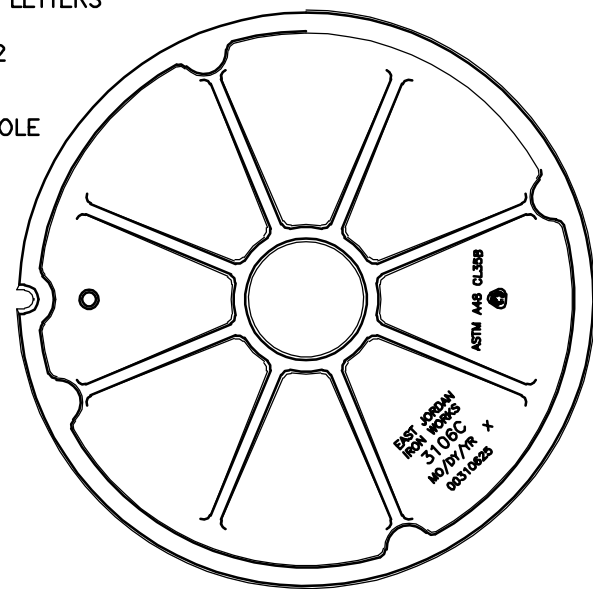
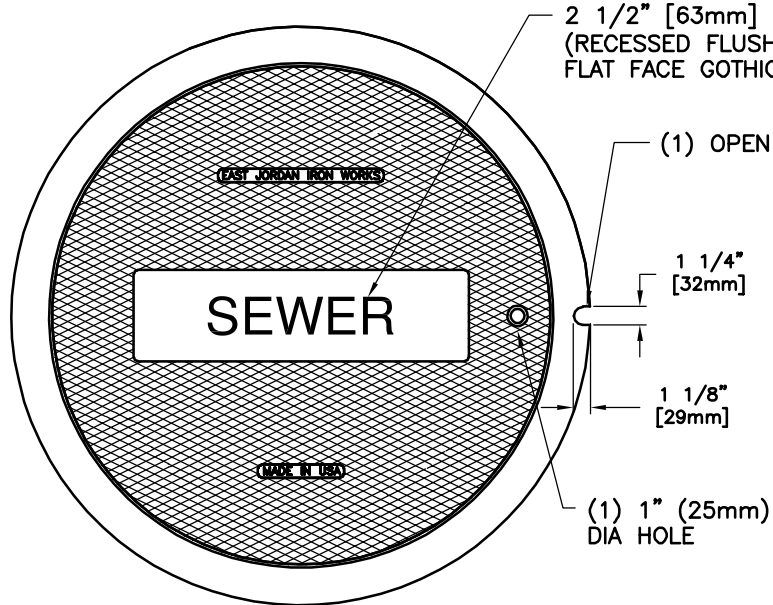
REF. PRODUCT DRAWING  
310620

EST. WT.  
COVER: 300 LBS 136kg

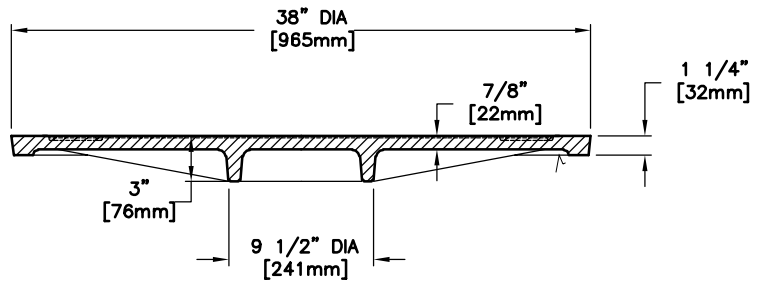
OPEN AREA  
N/A

MAT'L SPEC.  
COVER - GRAY IRON  
ASTM A48 CL35B

LOAD RATING  
HEAVY DUTY



COVER BACK



SECTION

√ MACHINED SURFACE