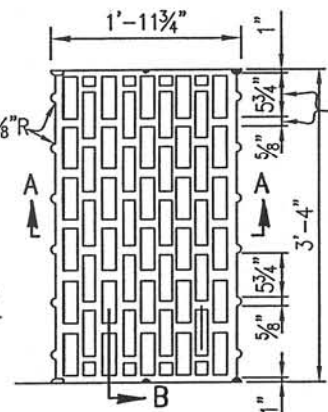
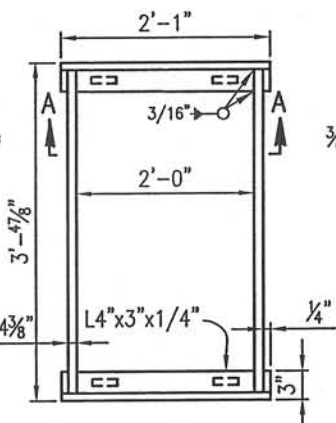
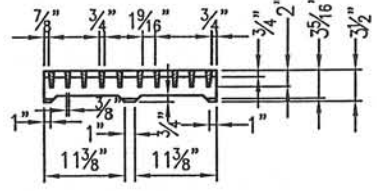
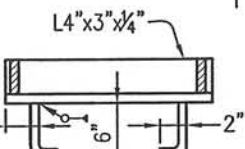
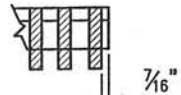
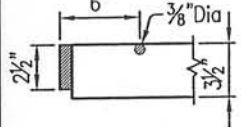
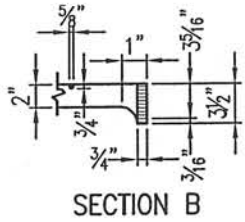


Note:
Bearing bars to be 3/2" x 3/4" bars on 1 7/8" centers. 3/8" Dia Crossbars resistance welded or electroforged to bearing bars.
Weight of Grate: 141 lbs
Use Typical Frame as shown.



Note:
Weight of Grate: 155 lbs
Use Typical Frame as shown



SECTION A-A
WELDED STEEL GRATE

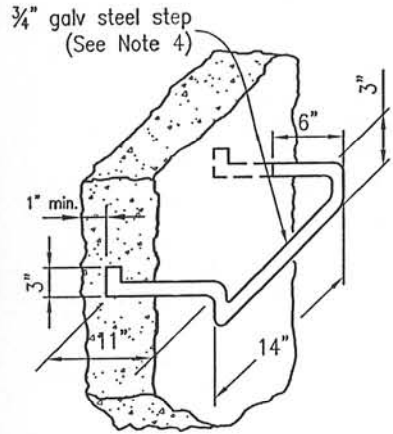
(Keene Corps. BPC 2440 B or equal)

SECTION A-A
TYPICAL FRAME

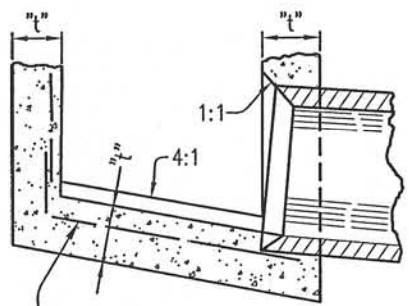
SECTION A-A
CAST NODULAR IRON GRATE

(Alhambra Foundry A-1555 or equal)

GRATE & FRAME DETAILS

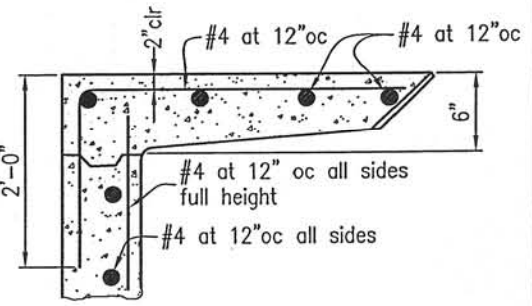


STEP DETAIL



#4 Total: 3
ALTERNATE REINFORCED FLOOR

(See Note 7)



REINFORCED STEEL DETAIL

(See Note 8)

NOTES:

1. Grate and frame shall be galvanized. See Standard Specification or Special Provisions.
2. For "t" wall thickness see Table on Inlet Plan.
3. Reinforcing steel shall be #4 bars at 12"± centers placed 1/2" clear to inside of box unless otherwise shown.
4. Steps - None required where "H" is 3'-6" or less. Install one step 16" above floor when "H" is more than 3'-6" and less than 4'-6". Where "H" is more than 4'-6", steps shall be evenly spaced at 16" intervals from 16" above floor to within 12" of the top of the box. Place steps in wall without pipe opening.
5. Pipe(s) can be placed in any wall, per Std 329.
6. Except for inlets used as junction boxes, basin floor shall have a minimum slope of 4:1 from all directions toward outlet pipe and shall have a wood trowel finish.
7. Alternate reinforced floor at the option of the Contractor.
8. Reinforcement details to be used with Type II and Type III, as per Std Plans 302 and 303.



3-25-04
DATE APPROVED

Thomas
PUBLIC WORKS DIRECTOR/C.E.
Randall
ASSISTANT CITY ENGINEER

CITY OF ORANGE PUBLIC WORKS DEPARTMENT

MISCELLANEOUS INLET
DETAILS AND NOTES

STANDARD
PLAN No.
306