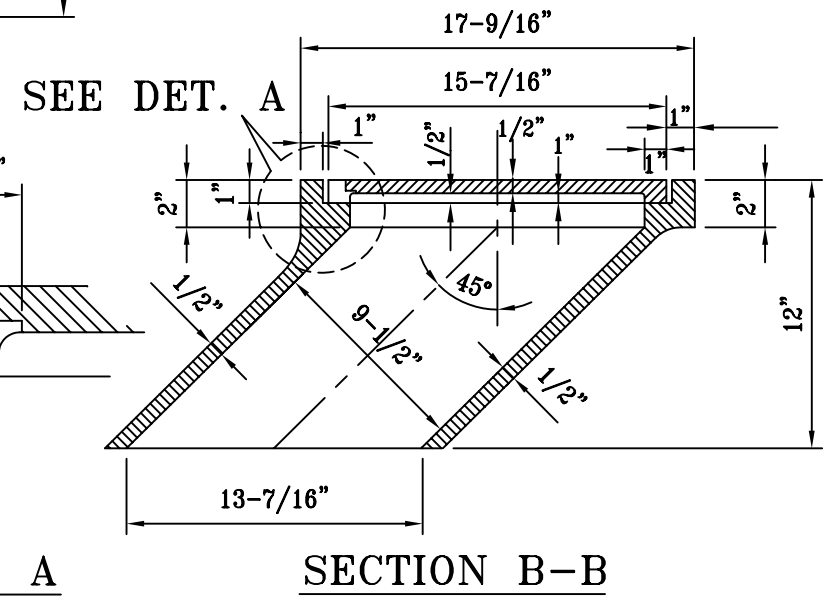
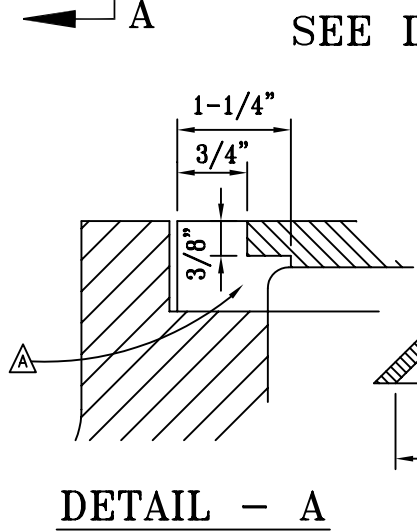
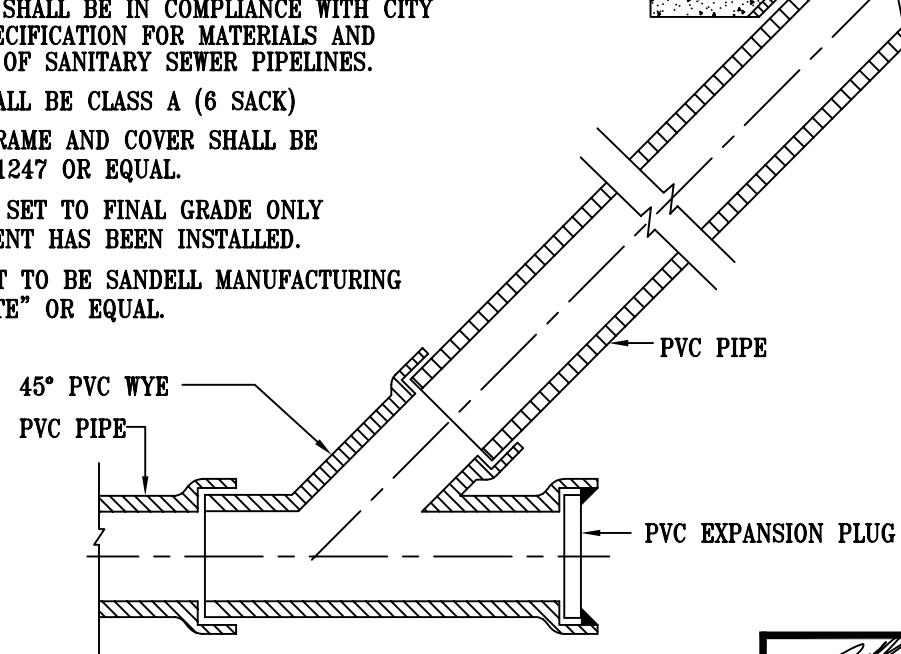
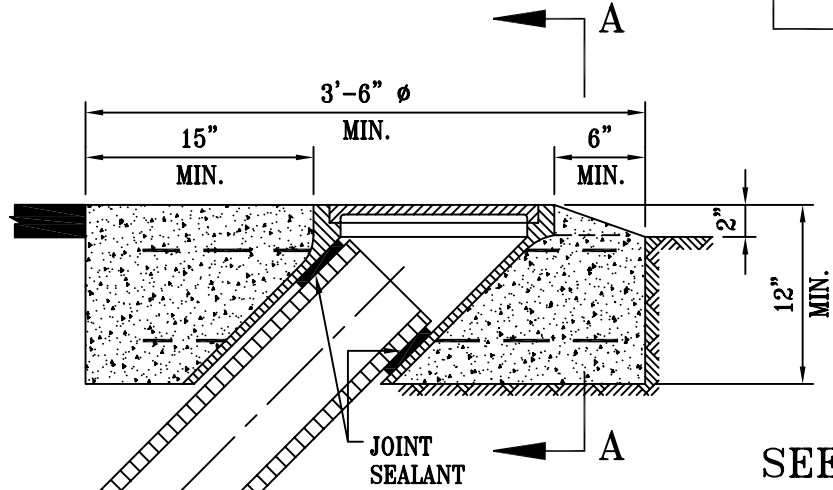



GENERAL NOTES :

1. INSTALLATION SHALL BE IN COMPLIANCE WITH CITY STANDARD SPECIFICATION FOR MATERIALS AND INSTALLATION OF SANITARY SEWER PIPELINES.
2. CONCRETE SHALL BE CLASS A (6 SACK)
3. CLEAN-OUT FRAME AND COVER SHALL BE ALHAMBRA A-1247 OR EQUAL.
4. FRAME TO BE SET TO FINAL GRADE ONLY AFTER PAVEMENT HAS BEEN INSTALLED.
5. JOINT SEALANT TO BE SANDELL MANUFACTURING CO. "POLY-TITE" OR EQUAL.



▲ INSTALL RAP-O MANHOLE COVER CUSHION AROUND BOX LID BY MUNICIPAL SERVICES INC; 420 BOSTON TURNPIKE; SHREWSBURY MASS.; 01545 OR APPROVED EQUAL.

RICHARD C. SWEET R.C.E. 44,213 EXP. 6/30/07		1/20/05 DATE			City of Santa Maria Standard Drawing	
REVISIONS		BY	DATE		DESCRIPTION:	
▲	REVISION INDICATED	MK	8/06	SEWER CLEAN-OUT DETAIL		STANDARD NUMBER
DRAWN BY: H.P.		DATE DRAWN: 10/69		SCALE: NONE		SS-12A
						SHEET 1 OF 1