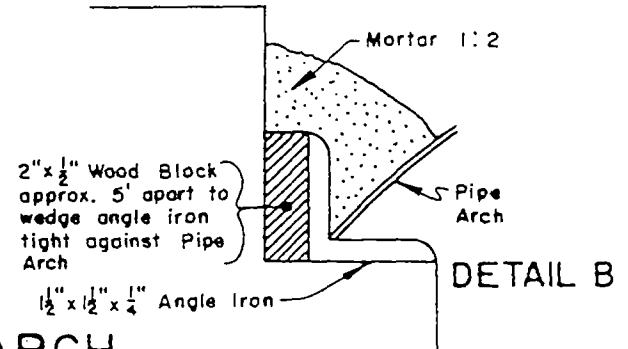
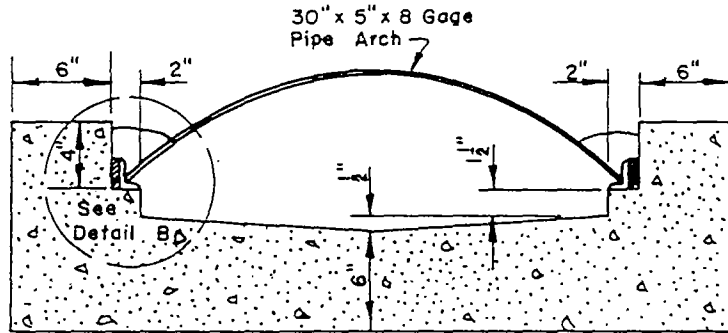
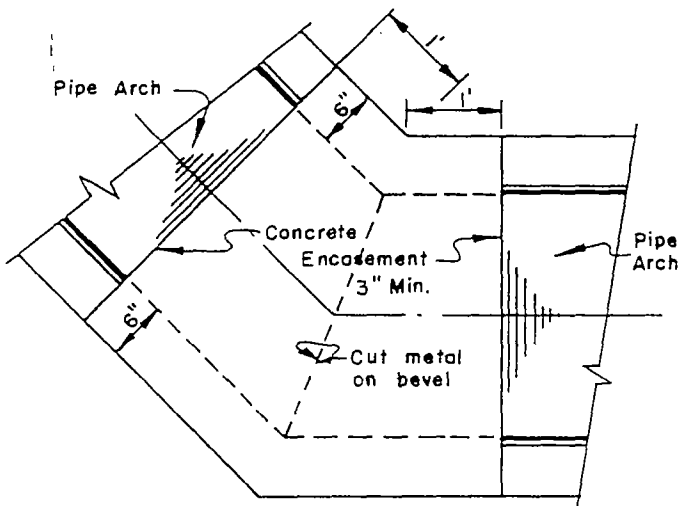


SECTION A-A

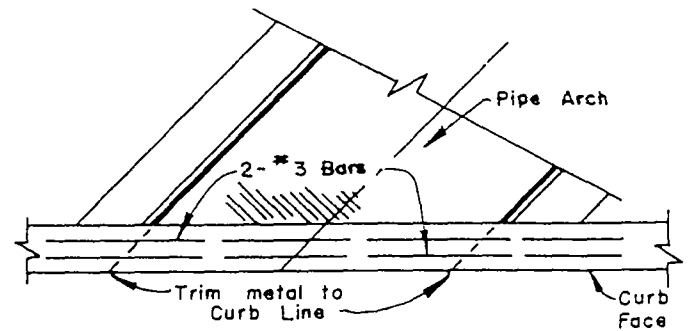
MANHOLE DETAILS



PIPE ARCH
TYPICAL CROSS-SECTION



JUNCTION DETAIL
For Joining to Existing Culverts



CURB OPENING DETAIL

CITY OF COLTON PUBLIC WORKS DEPT.			
CULVERT DETAILS			
DRAWN BY G.W.A.	SCALE N.T.S.	DRAWING NO.	
CHK'D <i>DAB</i>	DATE OCT. 1963	206	
APP'D <i>L. Glenn Wilson</i>			