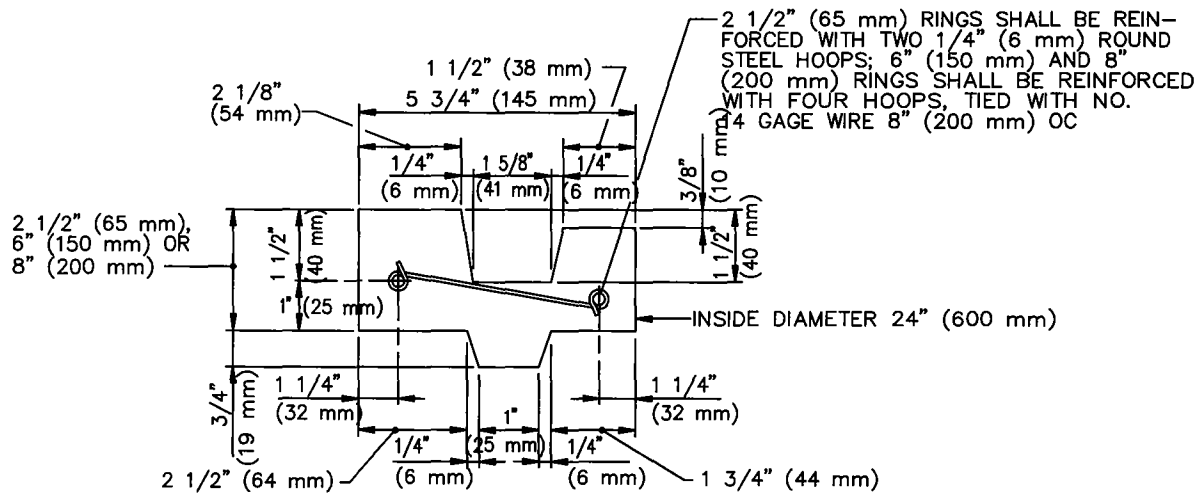


VERTICAL SECTION OF PLAIN CONCRETE ECCENTRIC MANHOLE SHAFT

VERTICAL SECTION OF REINFORCED CONCRETE ECCENTRIC MANHOLE SHAFT



CROSS SECTION OF REINFORCED CONCRETE RING