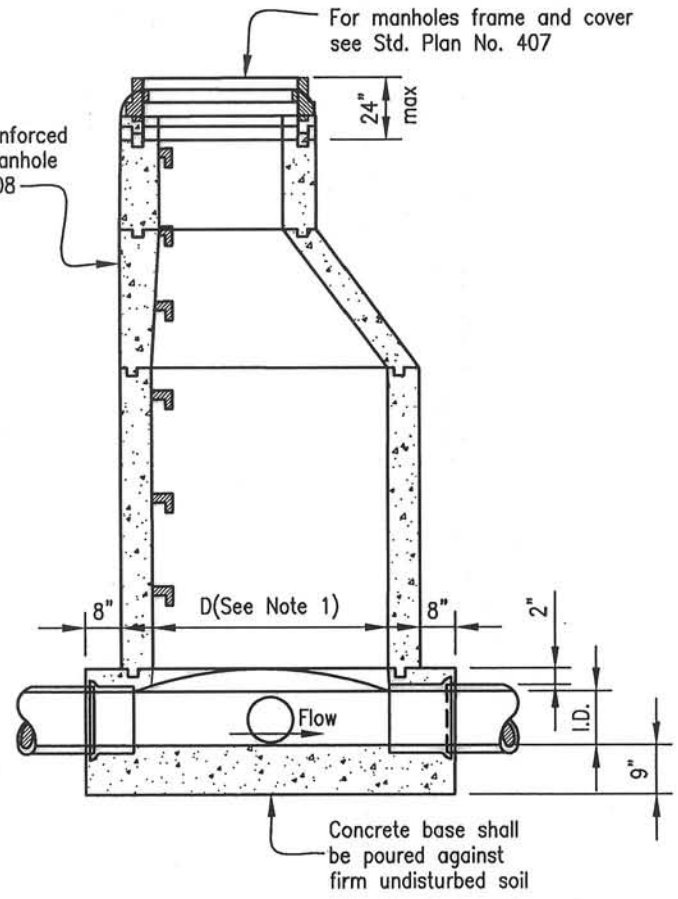
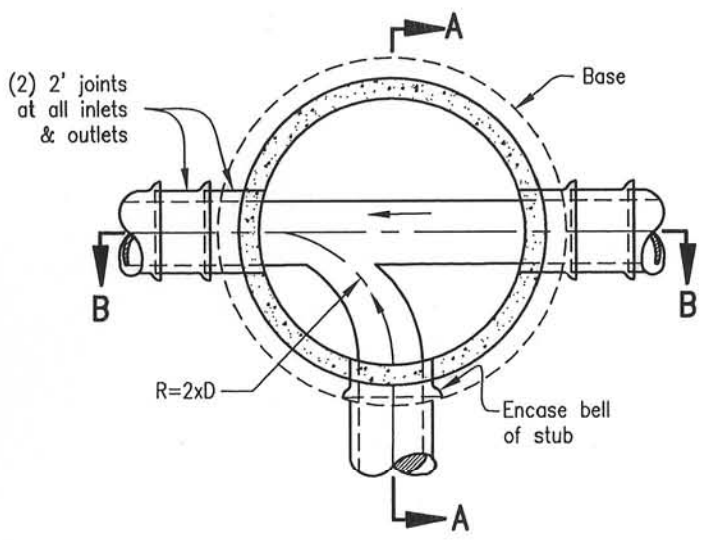


SECTION A-A



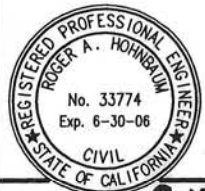
SECTION B-B



SECTION C-C

NOTES:

1. D shall be 4' for pipe dia. 18" or less and depths 20' or less; and, 5' for pipe, dia. 21" or greater and/or depths greater than 20'.
2. The depth of channel shall equal the pipe diameter for all sizes of pipe.
3. Concrete base and stub walls shall be poured in one operation to an elevation 2" above the top of the inlet pipe.
4. If depth of sewer invert is less than 7' the height of the tapered section shall be 3' and the height of the uniform section shall be variable.
5. The floor of manhole shall be steel troweled.
6. For standard drop connection see Std. Plan 202.
7. Locate steps opposite downstream outlet.
8. Raise manhole frame and cover 18" above finish surface when in unpaved areas.
9. A manhole shall be required at vertical grade break as required by the City Engineer.



9-15-05
DATE APPROVED

CITY OF ORANGE PUBLIC WORKS DEPARTMENT

STANDARD
PLAN No.
201

SEWER MANHOLE BASE

[Signature]
PUBLIC WORKS DIRECTOR/C.E.
ASSISTANT CITY ENGINEER