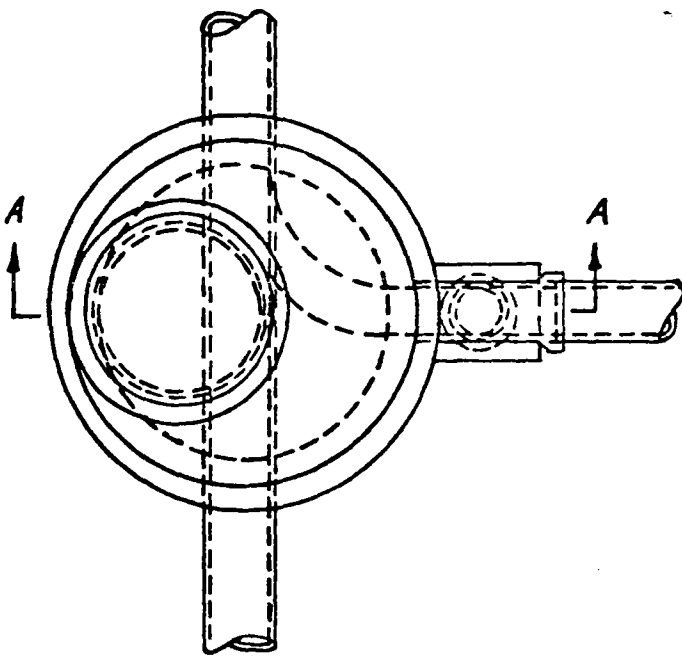


Section A-A



Plan of Base

NOTES

1. All cast in place concrete shall be 6.0-C-3000 and conform to Section 201-1 of the Standard Specifications for Public Works Construction (SSPWC).
2. Precast Manhole Sections shall be joined with Class B mortar per Section 201-5 SSPWC. All joints shall be neatly struck.
3. Precast Manhole Section shall conform to Sections 207-1.2, 1.3, 2.4, and 2.8 of the SSPWC. The interior surface of the section shall be smooth and well finished.
4. The Manhole Steps shall be uniformly spaced at a maximum of 17" with the top step placed just under the Manhole Frame. The steps shall be made of wrought iron and coated with asphaltic paint. The steps will be of the shape and size indicated on Standard Drawing F 358.
5. Channel Inverts and Shelves shall be given a smooth finish free of sharp edges and abrupt changes in slope and may be placed separately from the base provided they are placed on a clean base using an epoxy or other suitable waterproof concrete bonding agent to prevent separation or spalling.
6. Upon approval of the Engineer a six inch thick concrete precast manhole may be substituted for the 4 1/8" thick Manhole.
7. See Standard Drawing F 358 for typical Precast Manhole Sections and Grade Rings.

SUBMITTED BY: \_\_\_\_\_ MH  
 DESIGNED BY: \_\_\_\_\_ IJL  
 CHECKED BY: \_\_\_\_\_ JSD  
 DRAWN BY: \_\_\_\_\_ CG

CITY OF PASADENA PUBLIC WORKS DEPARTMENT

STANDARD DROP MANHOLE

STANDARD PLAN

F-383

APPROVED Arthur A. Kneiser  
 ASST. DIRECTOR OF PUBLIC WORKS

5/21/76  
 DATE