

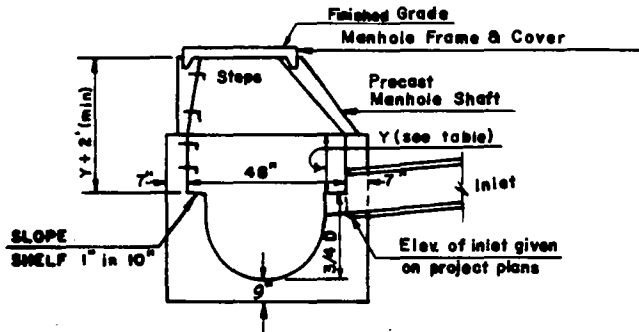
PLAN

MINIMUM VALUES OF Y

D ₁	Y
30"	2'-0"
33"	2'-0"
36"	1'-6"
39"	1'-6"
42"	1'-0"
45"	1'-0"

NOTES:

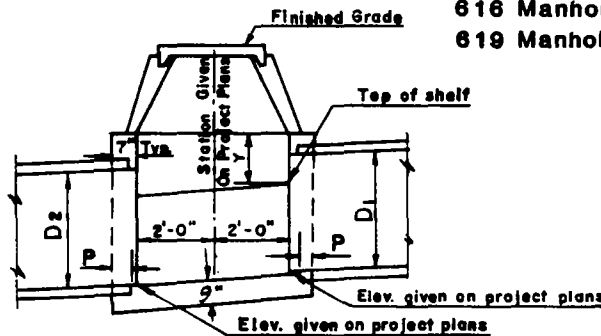
1. Except as noted hereon, manhole shall conform to Standard Plan 619.
2. The body of the manhole shall be cast in one continuous operation. The channel shall be steel troweled to the shelf.
3. Embedment P shall be 5".



SECTION A-A

The following Standard Plans are incorporated herein :

- 615 Steel Step
- 616 Manhole Frame and Cover
- 619 Manhole Type D



SECTION B-B

REVISIONS		CITY OF LONG BEACH, CALIFORNIA DEPARTMENT OF PUBLIC WORKS	STANDARD PLAN NO.
NO.	DATE		
1		MANHOLE TYPE E 30" THRU 45" PIPE	620
2			
3		APPROVED BY: <i>Edward J. Pitz</i> CITY ENGINEER R.E. No. 24233	SHEET 1 OF 1
4			
		DATE: 6-26-89	
		EX. DATE 12-31-89	