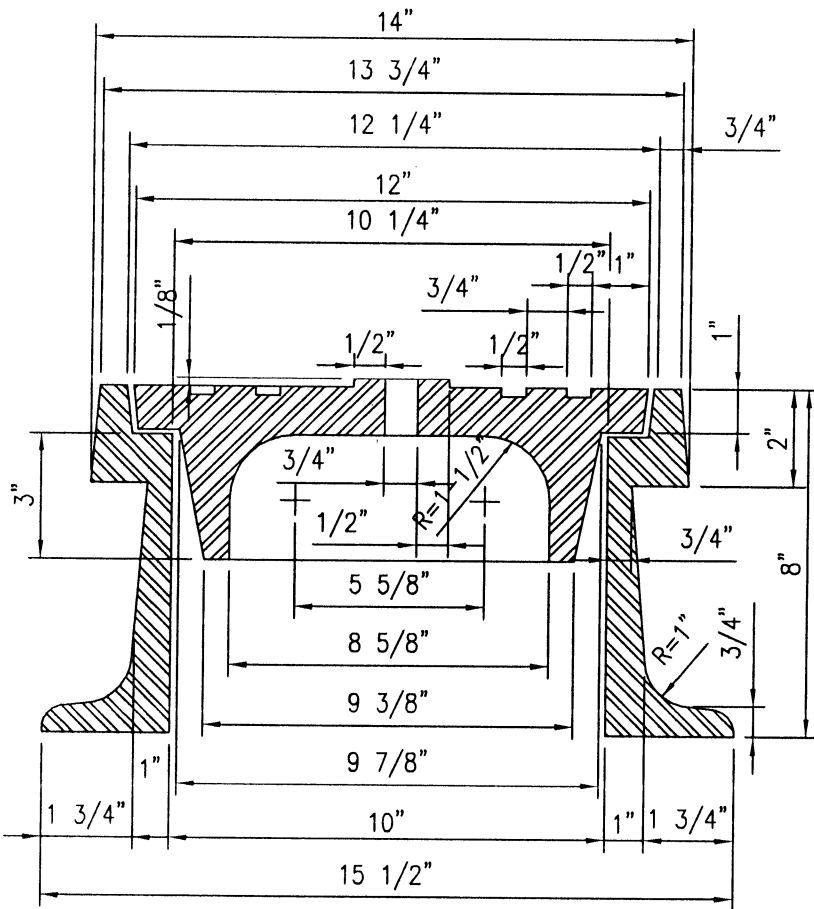


1/8" RAISED LETTERS

NOTE:

ALL CASTINGS SHALL BE MADE ACCURATELY TO THE DIMENSIONS SHOWN. SEAT AND COVER SHALL BE MACHINED, NOT GROUND TO SECURE FLAT AND TRUE SURFACES. THE COVER SHALL NOT RATTLE IN ANY POSITION.

3/4" SQUARE HOLE



SEE TABLE 200-9 FOR MINIMUM WEIGHT REQUIREMENTS

CAST IRON FRAME & COVER

2002
REVISION

OAHU MAUI HAWAII	12" VALVE BOX FRAME & COVER SCALE: NTS	STANDARD DETAILS	V16
------------------------	--	---------------------	------------