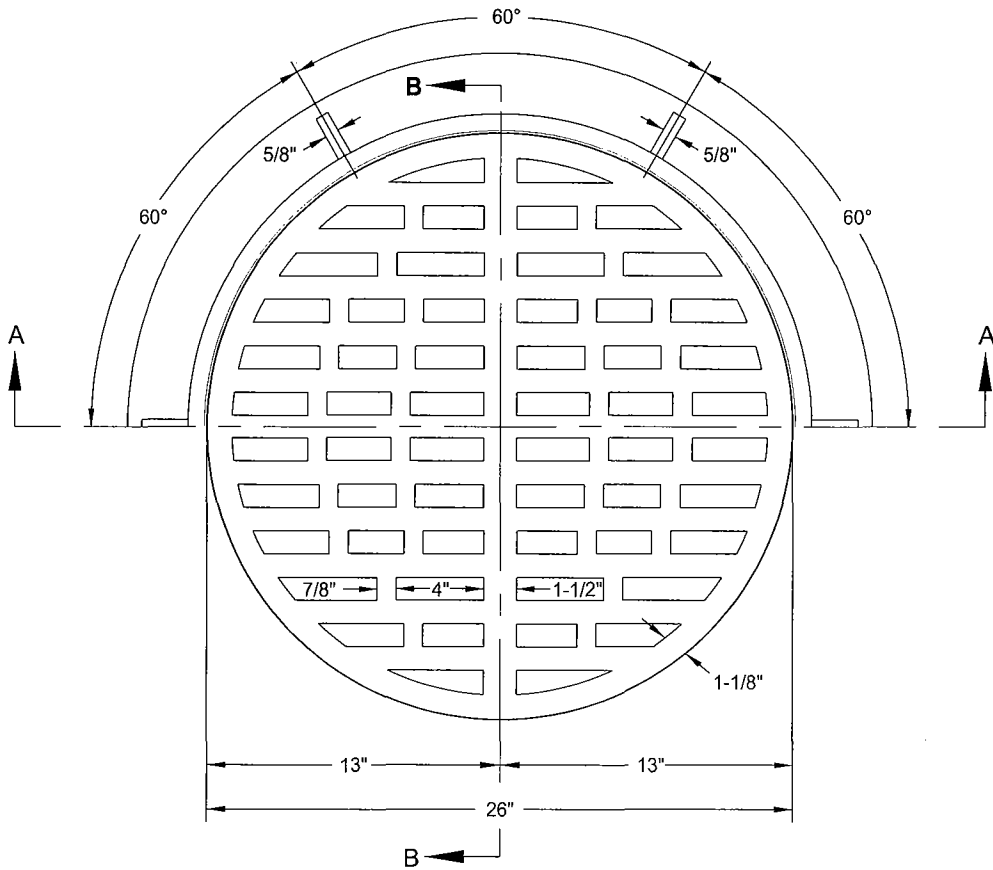
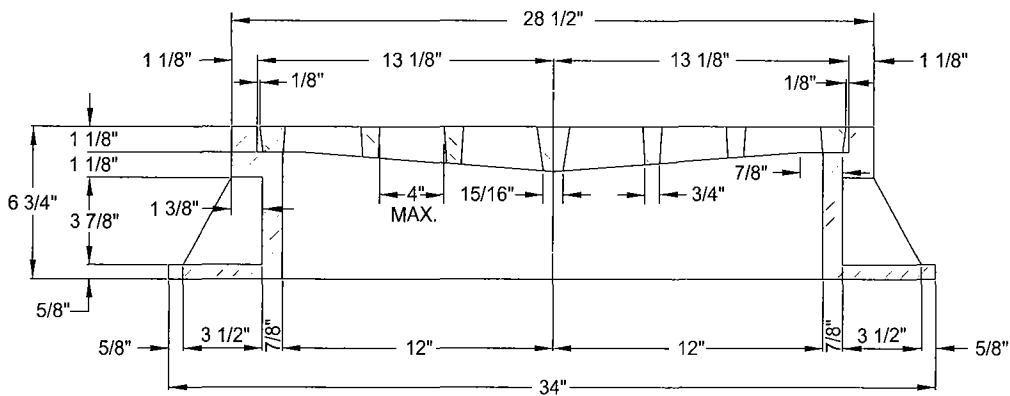


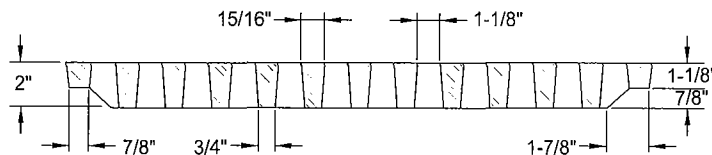
R:\Utilities\City_Stod_Details\Sewer_Drainage\160_StdManHoleH&C1C.dwg



PLAN OF HEAD 1, COVER C



SECTION A-A HEAD 1, COVER C



SECTION B-B, COVER C

NOTE:

1. ALL CASTINGS TO CONFORM TO ASTM A48, CLASS 30

REV.	DATE	DESCRIPTION
△		
△		
△		

CITY OF SACRAMENTO
DEPARTMENT OF UTILITIES

STANDARD MANHOLE
HEAD AND COVER 1-C

APPR'D BY: *DOB* NO SCALE
DATE: MAY 2007 DWG. NO. **S - 160**