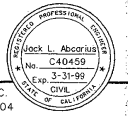


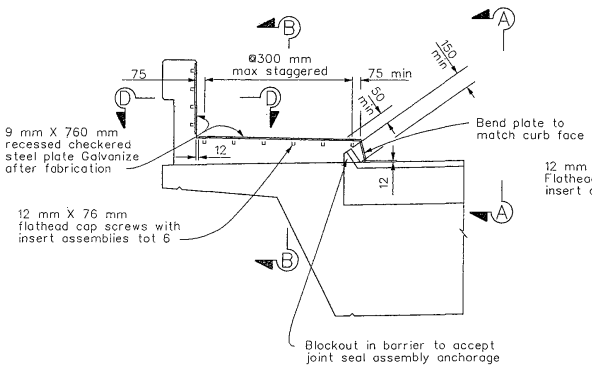
DIST.	COUNTY	ROUTE	KILOMETER POST TOTAL PROJECT	SHEET No.	TOTAL SHEETS
11	SD	54125	9,710.8 18,019.6	746	803



Jack L. Abcarian
REGISTERED CIVIL ENGINEER
4-6-98
PLANS APPROVAL DATE
McDANIEL ENGINEERING COMPANY, INC.
5030 CAMINO DE LA SIESTA, STE. 204
SAN DIEGO, CA 92108

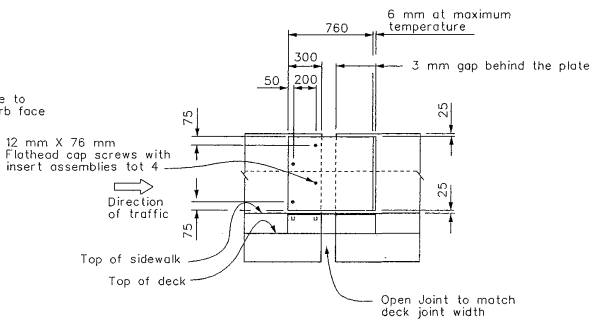


The State of California or its officers or agents shall not be responsible for the accuracy or completeness of electronic copies of this plan sheet.

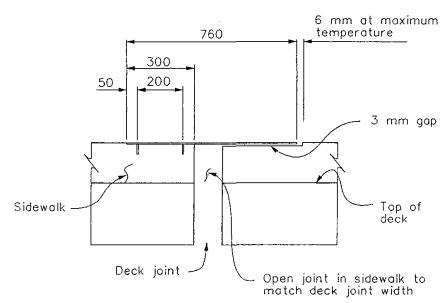


Note: Chainlink railing not shown

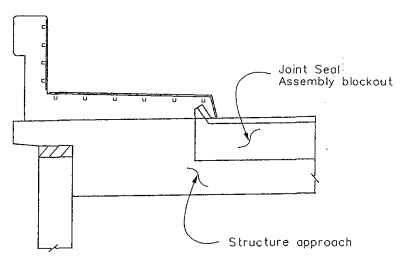
DECK DETAIL



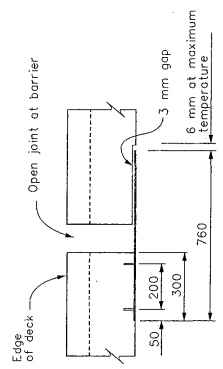
ELEVATION A-A



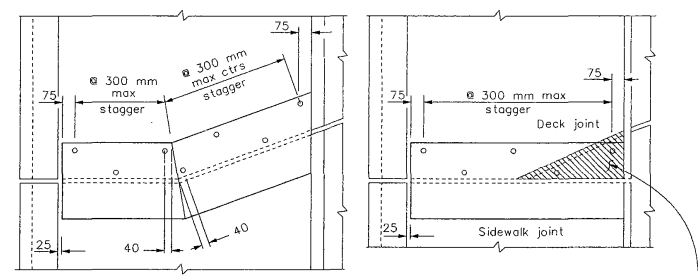
SECTION B-B



STRUCTURE APPROACH DETAIL



SECTION D-D



SKEW > 20°

SKEW > 20° ALTERNATE

SIDEWALK EXPANSION JOINT ARMOR

No Scale
Note: Adjust bolt spacing to miss utilities in sidewalk.

SEAL INSTALLATION

No Scale

All dimensions are in millimeters unless otherwise shown.

DESIGN OVERSEER <i>J. M. Roman</i>	DESIGN #1 James Orie	CHECKED Roya Golchoobian	PREPARED FOR THE STATE OF CALIFORNIA DEPARTMENT OF TRANSPORTATION	PROJECT CHIEF James Orie	BRIDGE No. 57-1043	JAMACHA BOULEVARD OVERCROSSING
DATE 9/16/97	BETALS #1 Andy Toledo	CHECKED Roya Golchoobian		POST MILE/2km 7.16/11.52	ABUTMENT JOINT SEAL DETAILS	
SCHEMATIC	QUANTITIES #1 Sibila Anguelova	CHECKED Roya Golchoobian		DISREGARD PRINTS BEARING EARLIER REVISION DATES	REVISION DATES (PRELIMINARY STAGE ONLY)	