

EJIW EAST JORDAN
IRON WORKS EST.1883

800-626-4653
www.ejiw.com
MADE IN USA

PRODUCT NUMBER

00362920

CATALOG NUMBER

3629C

COVER

LOAD RATING

HEAVY DUTY

COATING

DIPPED

ESTIMATED WEIGHT

COVER: 23 LBS

MATERIAL SPECIFICATION

GRAY IRON
ASTM A48 CL35B

OPEN AREA

N/A

✓ DESIGNATES
MACHINED SURFACE

DRAWN
DEW

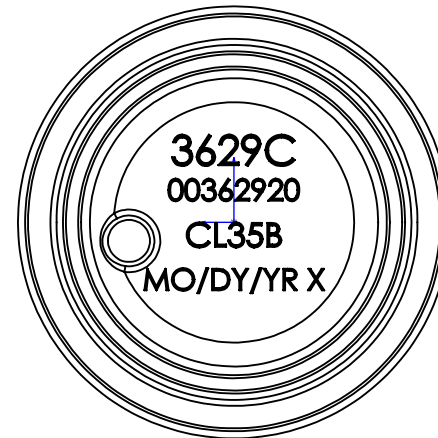
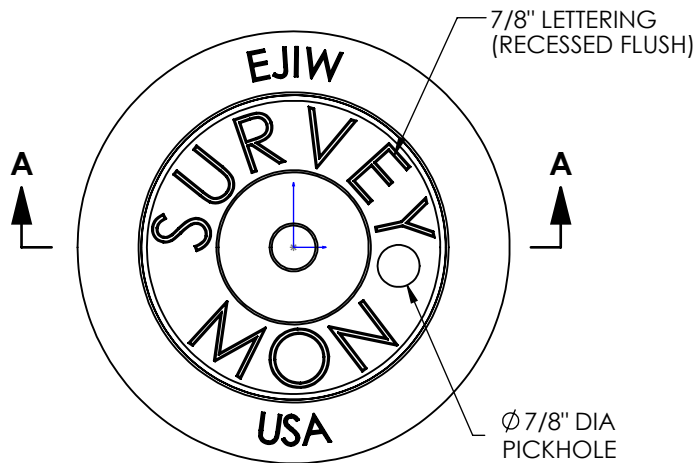
DATE
3/24/2008

LAST REVISED
KKP

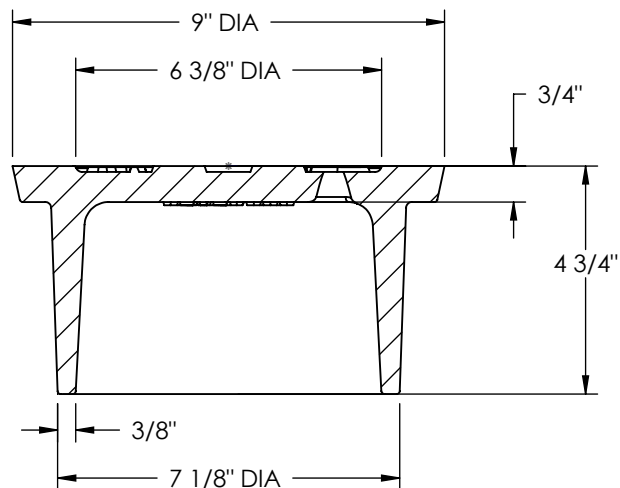
DATE
3/26/2008

REFERENCE INFORMATION

00362920



BOTTOM VIEW



SECTION A-A

CONFIDENTIAL: This drawing is the property of East Jordan Iron Works, Inc. and embodies confidential information, trade secret information, and/or know how that is the property of East Jordan Iron Works, Inc. © Copyright 2008 East Jordan Iron Works, Inc.