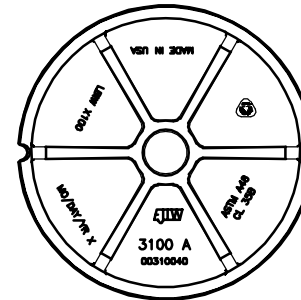


O. COVER BACK



I. COVER BACK

EAST JORDAN  
IRON WORKS, INC.  
P.O. BOX 439  
EAST JORDAN, MI. 49727  
1-800-874-4100  
FAX 231-536-4458

DRAWN SBB	DATE 10/21/03
APPROVED	DATE

**MANHOLE  
OUTER COVER  
(LBIW X144)**

PRODUCT NO.

**00314402**

CATALOG NO.

3144E  
3100A  
3144Z

REF. PRODUCT NUMBER

00314420  
00310040  
00314410

EST. WT.

FRAME: 350 LBS 159kg  
I. COVER: 162 LBS 73kg  
O. COVER: 300 LBS 136kg  
UNIT: 812 LBS 368kg

OPEN AREA

N/A

MAT'L SPEC.

COVERS - GRAY IRON  
ASTM A48 CL35  
FRAME - GRAY IRON  
ASTM A48 CL35

LOAD RATING

HEAVY DUTY

✓ MACHINED SURFACE