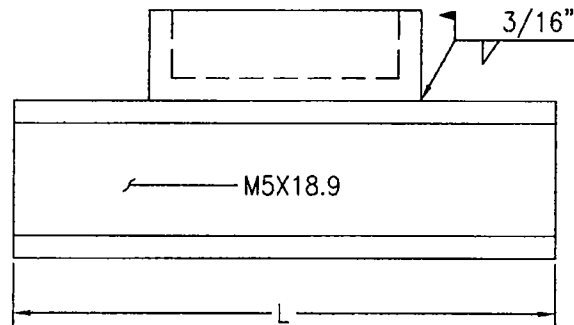


SECTION A-A



ELEVATION

NOTES:

1. OMIT 1/2" FRAME ANCHORS OVER CENTER SUPPORT
2. L=57 INCHES FOR CURB OPENING CATCH BASIN WITH GRATING(S) AND DEBRIS SKIMMER (STANDARD PLAN 301).
3. EXPOSED SURFACES OF THE GRATES, FRAMES AND HOODS, WITH PARTS ASSEMBLED AND DISASSEMBLED, SHALL BE PAINTED WITH COMMERCIAL QUALITY ASPHALTUM PAINT AFTER TESTING AND ASSEMBLY.

*Keith DeLore*  
 DIRECTOR, DEPARTMENT OF WATER RESOURCES

SACRAMENTO COUNTY  
 MUNICIPAL SERVICES AGENCY

**CENTER SUPPORT  
 ASSEMBLY FOR  
 MULTIPLE GRATES**

DRAWN BY: M. FIELDS  
 SCALE: NONE  
 DATE: 04/07

**9-16**