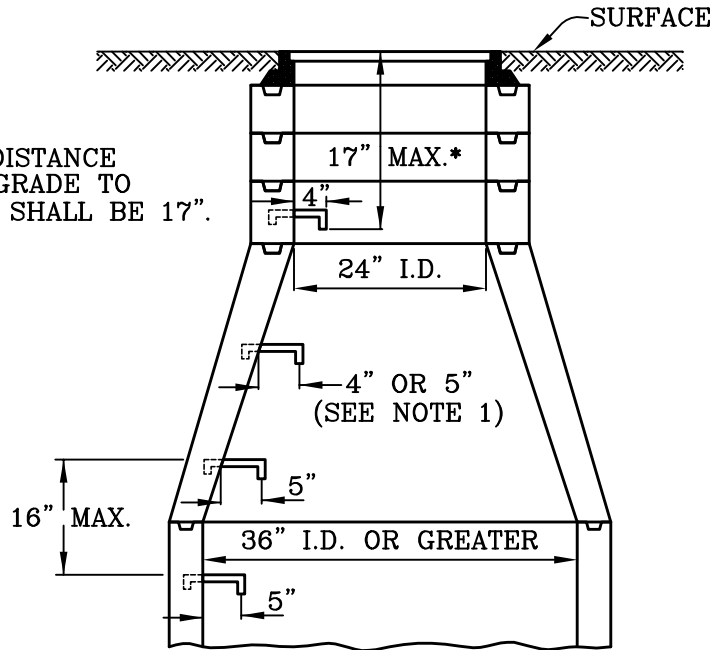
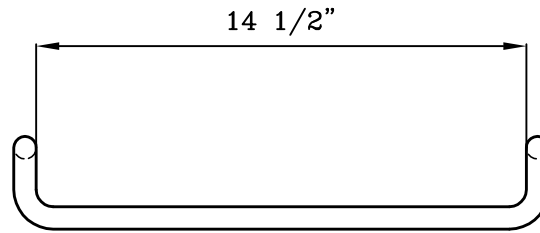
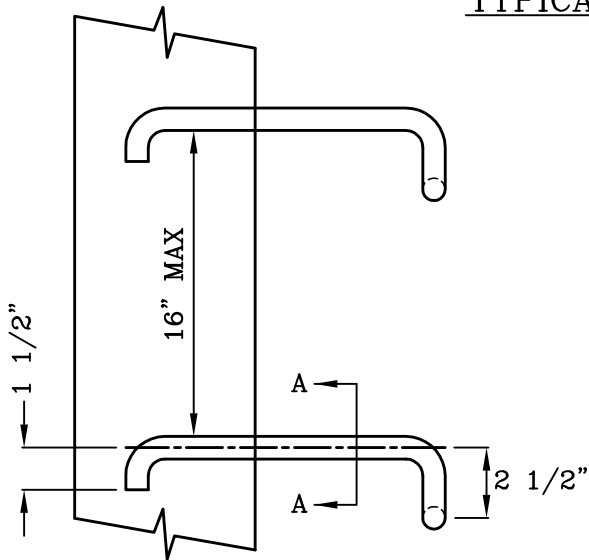


\*THE MAXIMUM DISTANCE FROM SURFACE GRADE TO THE FIRST STEP SHALL BE 17".



TYPICAL MANHOLE



SECTION A-A

NOTES:

1. SEE STD. PLANS 416 AND 417 FOR MANHOLE STEP SPACING AND PLACEMENT.
2. MATERIAL SHALL BE 3/4" OF STEEL CONFORMING TO A.S.T.M. A575, A576, OR A615, GALVANIZED AFTER FABRICATION IN ACCORDANCE WITH A.S.T.M. A123.
3. STEPS SHALL HAVE A MINIMUM 3 INCH OF EMBEDMENT. PROJECTION FROM POINT OF POINT OF EMBEDMENT AS SHOWN ON STD PLAN 416, 417, 418 AND 419.

CITY OF MISSION VIEJO



MANHOLE STEPS

STANDARD  
PLAN NO.

422

*Robert Anderson* 9-23-03  
 APPROVED RCE 30190 DATE

SHT 1 OF 1