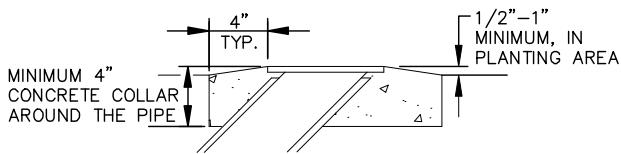
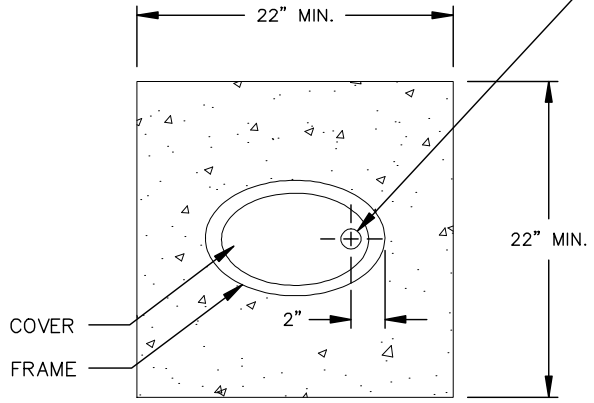
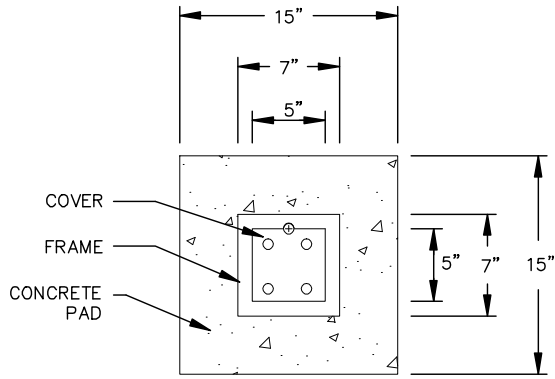
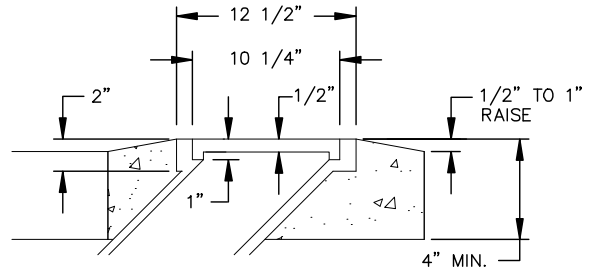


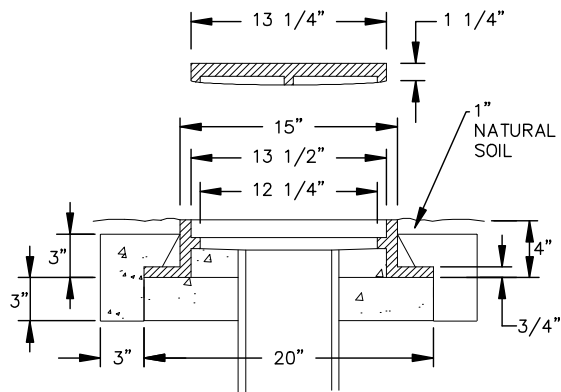
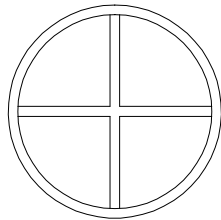
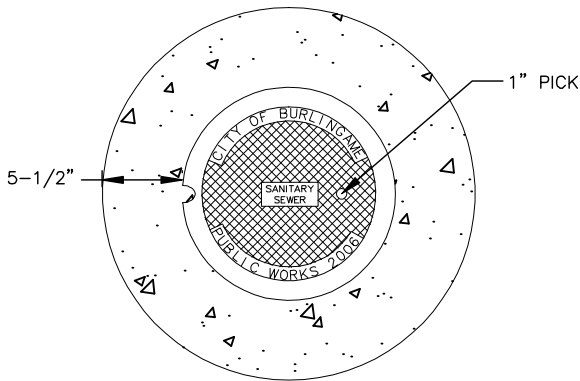
DRILL $\frac{13}{32}$ " DIA. AND C'SINK THRU COVER ONLY $\frac{5}{8}$ " TAP
 DRILL x $1\frac{1}{4}$ " DEEP, $\frac{3}{8}$ "-16 NC-3 x 1" DEEP (FRAME)
 $\frac{3}{16}$ "-16 nc-3 x 1" FH BRASS CAP SCR. 1 REQ.



4" FRAME & COVER
 LATERAL CONNECTION AT 45°
 N.T.S.



6" FRAME & COVER
 LATERAL CONNECTION AT 45°
 N.T.S.



6" FRAME & COVER
 VERTICAL RAISER ONLY
 N.T.S.

SUPPLIER:

CALSTEAM, BURLINGAME
 ROBERTS & BRUNE, REDWOOD CITY
 GROENIGER & CO., HAYWARD



**STANDARD 4" OR 6"
 FRAME AND COVER**

DEPARTMENT OF PUBLIC WORKS

APPROVED BY

DATE
 8/17/2006

DRAWING
 NO.

**SS-1
 (4 of 6)**