

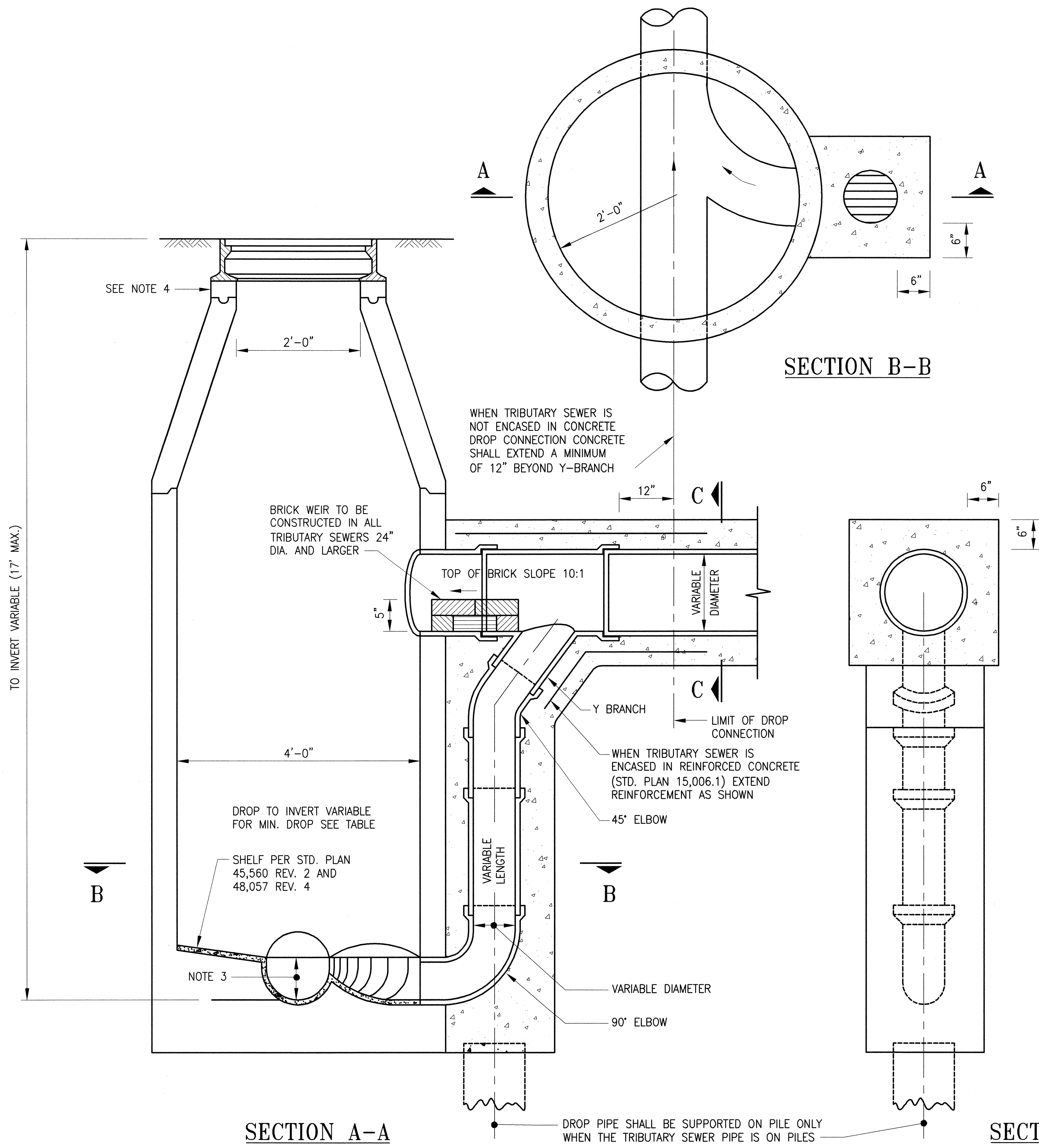
This Standard Plan was developed for use on public works projects in the City and County of San Francisco, and shall not be used without consulting a Registered Professional Engineer. The Department of Public Works reserves the right to make revisions to this Standard Plan at any time.

TABLE

SIZE OF TRIBUTARY SEWER	SIZE OF DROP PIPE	MINIMUM DROP
8"	6"	3'-3"
12"	6"	3'-3"
15"	8"	3'-9"
18"	8"	3'-9"
21"	10"	4'-6"
24"	10"	4'-6"
27"	12"	5'-0"
30"	12"	5'-0"
33"	12"	5'-0"
36"	12"	5'-0"

GENERAL NOTES

- FOR DETAILS OF M.H. FRAME & COVER, SEE STANDARD PLAN A-10,634 CH. 1
- DEPTH OF CHANNEL SHALL BE 3/4 THE DIAMETER OF THE LARGEST PIPE TRIBUTARY TO MANHOLE OR AS SHOWN IN PLANS FOR A PARTICULAR PROJECT. THE MANHOLE FLOOR AND CHANNEL SHELL BE PLASTERED WITH CLASS "C" MORTAR 1/2" THICK
- WHERE TWO OR MORE DROP INLETS ARE REQUIRED, EACH INLET SHALL BE BUILT AS SHOWN FOR SINGLE DROP INLET IN THE ABOVE SECTIONS
- FOR DETAILS OF MANHOLE SEE STD. PLANS 45,560 REV. 2 & 48,057 REV. 4 SFPUC/DPW STANDARD SPECIFICATIONS
- FOR ENCASEMENT AND STEEL DETAILS SEE STANDARD PLAN A-15,006.1
- ALL CONCRETE SHALL BE CLASS 6-3000-3/4



NO.	DATE	DESCRIPTION	BY	APP.
TABLE OF REVISIONS CHECK WITH TRACING TO SEE IF YOU HAVE LATEST REVISION				

REFERENCE INFORMATION & FILE NO. OF SURVEYS



BUREAU OF ENGINEERING
DEPARTMENT OF PUBLIC WORKS
CITY AND COUNTY OF SAN FRANCISCO

REVIEWED:	DATE:	PLANS APPROVAL DATE:	APRIL 30, 2007
ID	12/2006	<i>[Signature]</i>	4/30/07
DRAWN:	DATE:	SECTION MANAGER	
AM	07/2003	<i>[Signature]</i>	4/30/07
CHECKED:	DATE:	DEPUTY BUREAU MANAGER	
KS	12/2006	<i>[Signature]</i>	BUREAU MANAGER

STANDARD PLAN	
HYDRAULICS	
DROP MANHOLE FOR V.C.P. SEWERS	

OLD FILE NO.	LL-266 CH 4
FILE NO.	87,186
REV. NO.	

Drawing Path: V:\0966J Standard Plans & Specs Update\2_Plans\FINAL\HYD.SP-87186.dwg, Login: carantos
 Plot Time: Fri, 27 Apr 2007, 7:28pm
 Dimension Scale: 40
 Model Units: Feet
 Xrefs: V:\0966J Standard Plans & Specs Update\2_Plans\Final\BCE STD Title Block.dwg