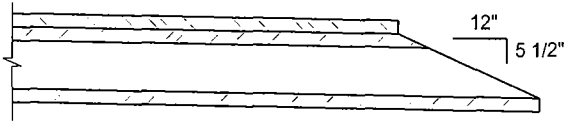
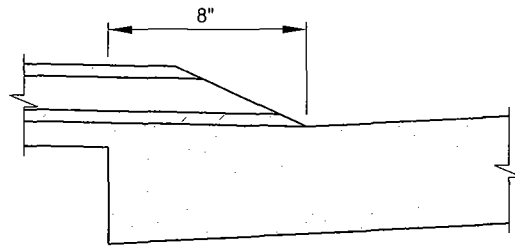


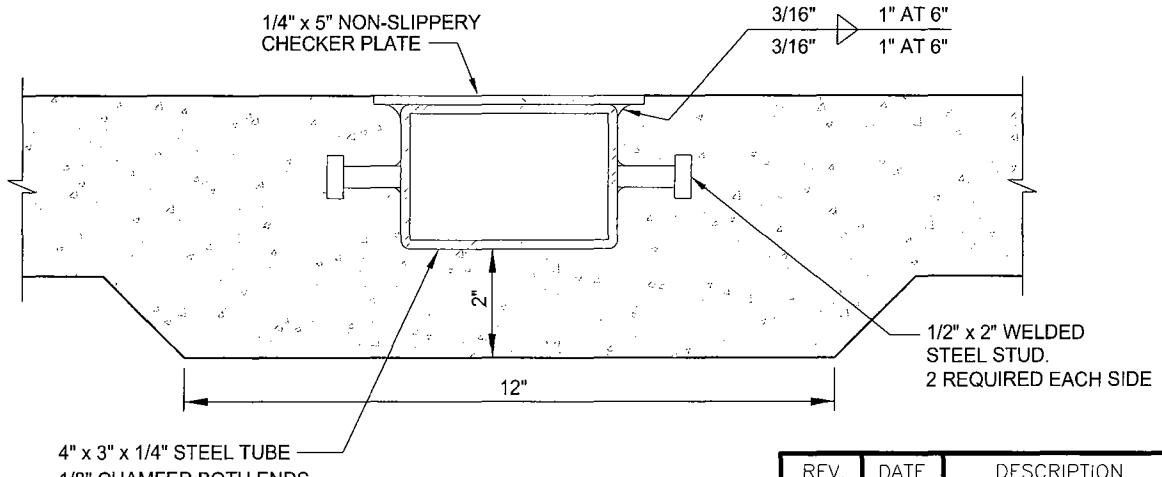
PLAN



CURB END OF DRAIN



SECTION A-A



SECTION B-B

**NOTE:**  
GALVANIZE AFTER FABRICATION AND ASSEMBLY

REV.	DATE	DESCRIPTION

R:\Utilists\City\_Std\_Details\DOT\_Civil\_Details\T-31

CITY OF SACRAMENTO  
DEPARTMENT OF TRANSPORTATION

THROUGH SDWK DRAIN  
DETAIL (C&G TYPE 1)

APPR'D BY: *Nicholas Kestoh* NO SCALE  
DATE: MAY 2007 DWG. NO. T - 31