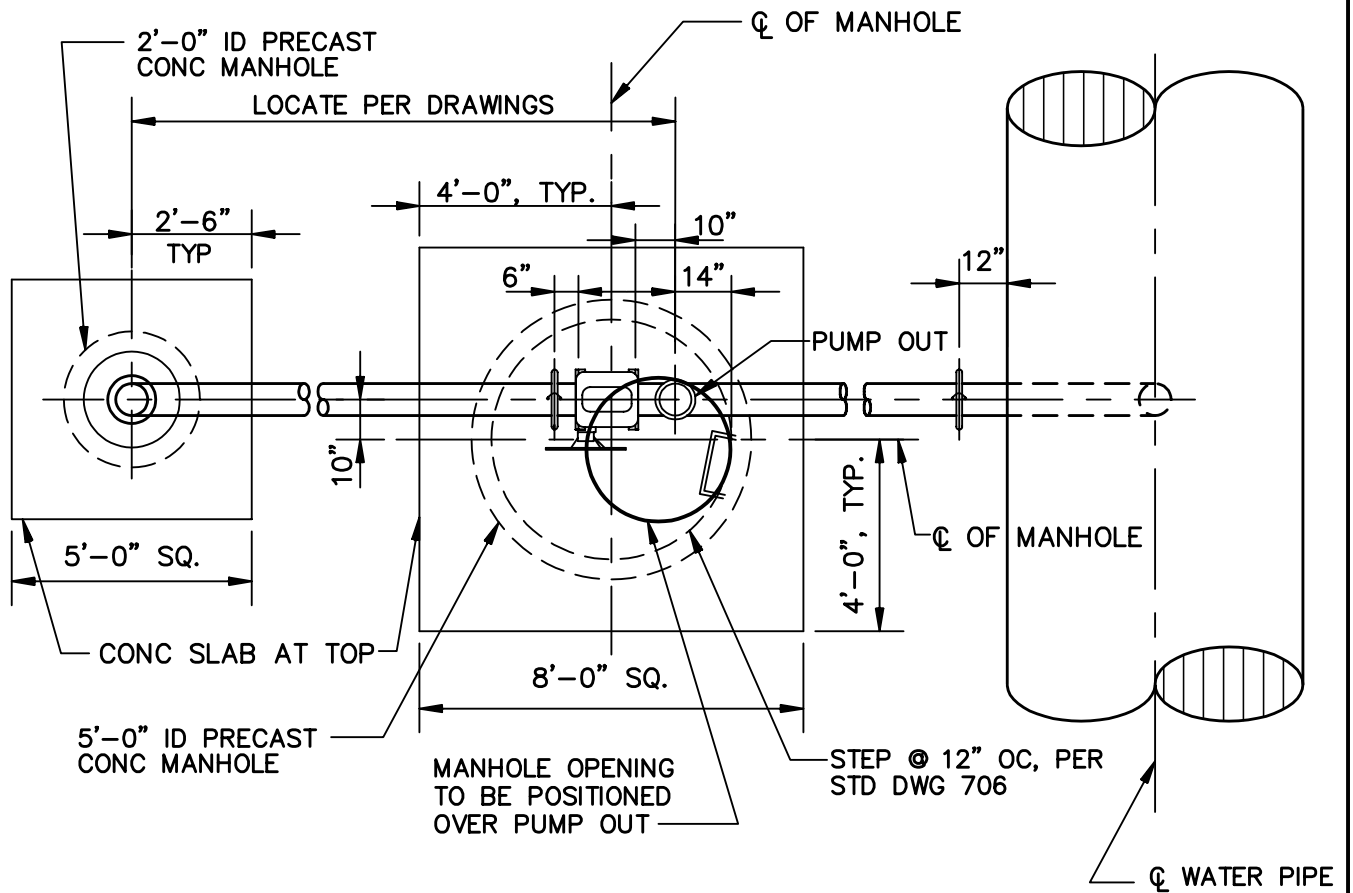


- NOTES:**
1. WHERE SUFFICIENT DEPTH IS NOT AVAILABLE, REDUCE THIS DIMENSION AS DIRECTED BY THE OWNER
  2. SEE ADDITIONAL NOTES ON SHEET NO. 2.
  3. BOND ALL BURIED NON-WELDED JOINTS PER STD DWG 902, EXCEPT AS SHOWN.
  4. PIPE SHALL BE CEMENT MORTAR LINED AND COATED AND ADDITIONALLY COATED SIMILAR TO MAINLINE PIPE COATING SYSTEM. COATING(S) SHALL EXTEND TO BACK OF FLANGES AND TO GROOVED COUPLING.
  5. BACKFILL ALL BURIED PIPE WITH ONE SACK CEMENT-SAND SLURRY OR 100 PSI SOIL-CEMENT, UNLESS OTHERWISE SPECIFIED.

REVISION	DATE	BY	DESCRIPTION	CALLEGUAS MUNICIPAL WATER DISTRICT		STANDARD DRAWINGS	DWG NO
2	03/02	P&I	GENERAL	THOUSAND OAKS CALIFORNIA		8" BLOWOFF FOR WSP OR CCP - NO DIRECT DISCHARGE TO STORM DRAIN OR ARROYO	501B
3	11/04	P&I	GENERAL				
4	03/08	P&I	GENERAL				
S. Mulligan 3/14/06				APPROVED		SHEET	
MANAGER OF ENGINEERING				DATE		1 OF 2	

Digitally signed by S. Mulligan 3/14/06  
 DN: CN = S. Mulligan 3/14/06, C = US,  
 O = Calleguas MWD, OU = Engineering  
 Date: 2006.03.14 08:35:46 -08'00'



PLAN

NOTES:

1. PAINT ALL EXPOSED STEEL SURFACES EXCEPT FLANGE FACE W/PROTECTIVE COATING PER SPECIFICATIONS.
2. PIPE COATING PER SPECIFICATIONS.
3. BOND JOINTS PER STD DWG 902.
4. SEE 905 FOR CATHODIC REQUIREMENTS.
5. GROOVED COUPLING AND CAP SHALL BE VICTUALIC TYPE 77 AND 60, RESPECTIVELY OR APPROVED EQUAL, UNLESS OTHERWISE SPECIFIED.
6. THICKNESS OF CONCRETE SLAB AT TOP SHALL BE 8" IN IMPROVED AREA AND 10" IN UNIMPROVED AREA.
7. TOP SLAB AND MANHOLE FRAME & COVER SHALL BE SET FLUSH WITH IMPROVED FINISHED GROUND OR 6" ABOVE UNIMPROVED GROUND.
8. INSTALL ONE LIFTING LUG IN SLAB ABOVE PLUG VALVE.

REVISION	DATE	BY	DESCRIPTION
2	03/02	P&I	GENERAL
3	11/04	P&I	GENERAL
4	03/08	P&I	GENERAL

CALLEGUAS MUNICIPAL  
WATER DISTRICT

STANDARD DRAWINGS

DWG NO

501B

8" BLOWOFF

SHEET  
2 OF 2

APPROVED

MANAGER OF ENGINEERING

DATE

THOUSAND OAKS

CALIFORNIA