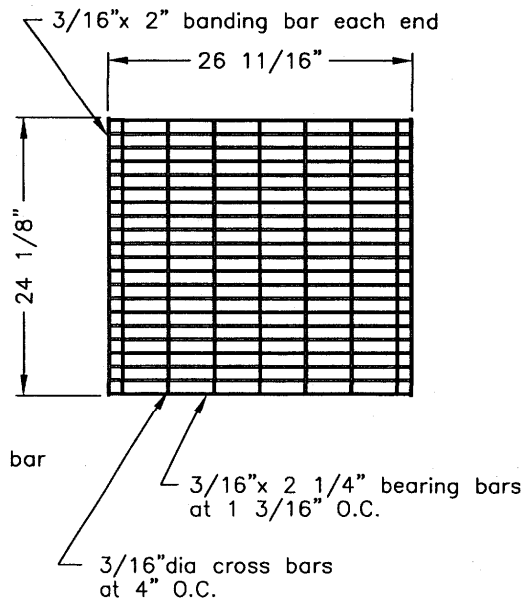
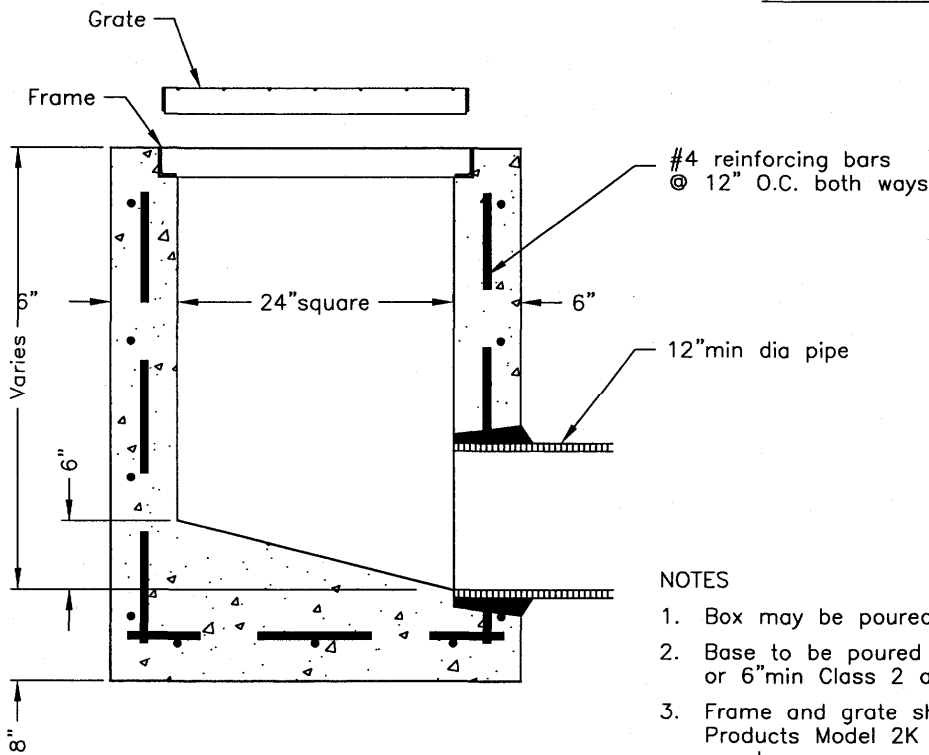


FRAME DETAIL



GRATE DETAIL



NOTES

1. Box may be poured in place or pre-cast.
2. Base to be poured on undisturbed earth or 6" min Class 2 aggregate base.
3. Frame and grate shall be Santa Rosa Cast Products Model 2K (Heavy) or approved equal.
4. Material to be hot dipped galvanized after fabrication.
5. Stencil curb adjacent to catch basin with "No Dumping! Flows to [creek-name]" message.

Rev	By	Date
0	DWH	12/14/92

Scale: NTS

**Catch Basin
Away from Curb**

City of Palo Alto Standard

Approved by:
[Signature]

PE No. 35411
Date 5/14/07

Dwg No. 304