

REVISIONS

APPROVALS

DESCRIPTIONS

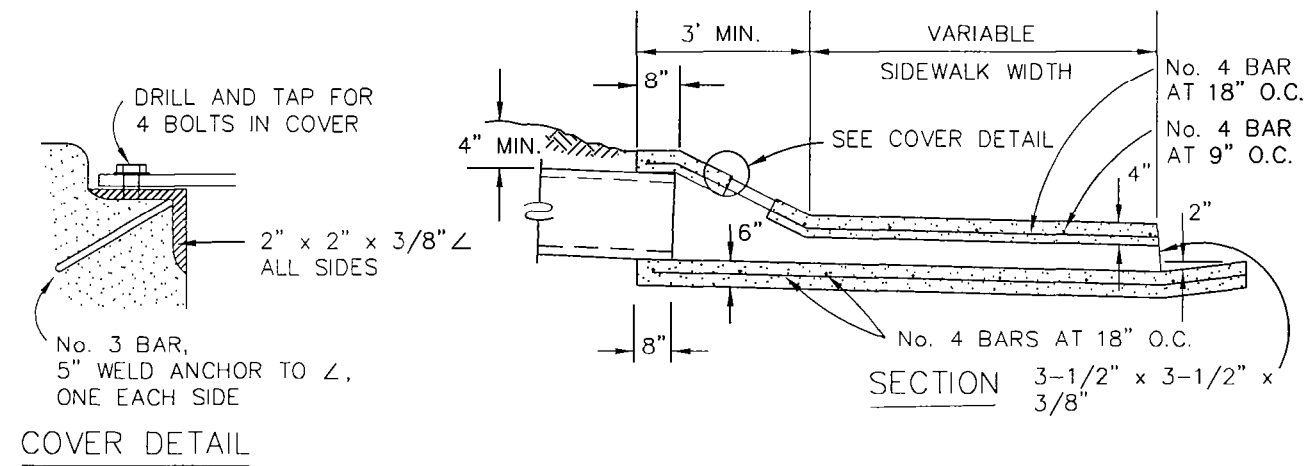
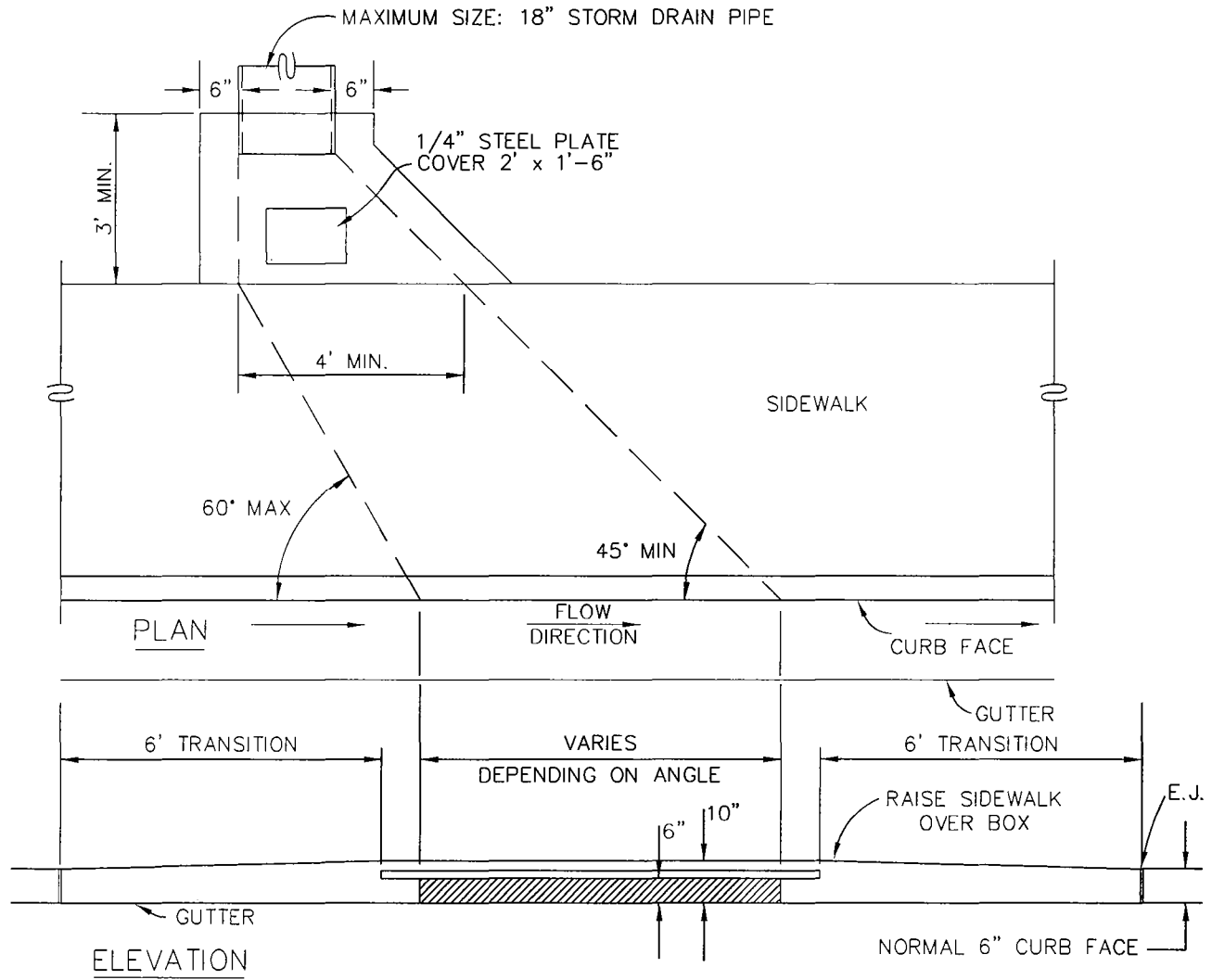
BY

DATE

APPROVED

COUNCIL RESOLUTION NO. 26-92

3/10/92



DRAWN BY:  
R.A.L.  
DESIGNED BY:  
S.J.S.  
DATE:  
2/27/92  
FILE NAME:  
AT509.DWG

CITY OF ATASCADERO  
ENGINEERING DEPARTMENT  
  
SIDEWALK UNDERDRAIN

DRAWING NO.  
  
509