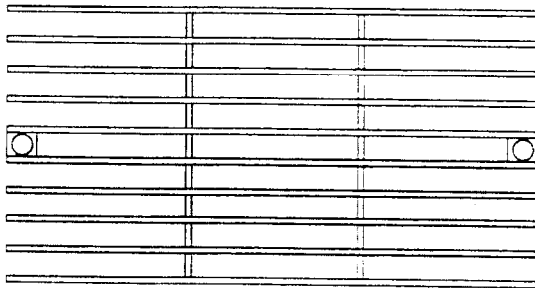


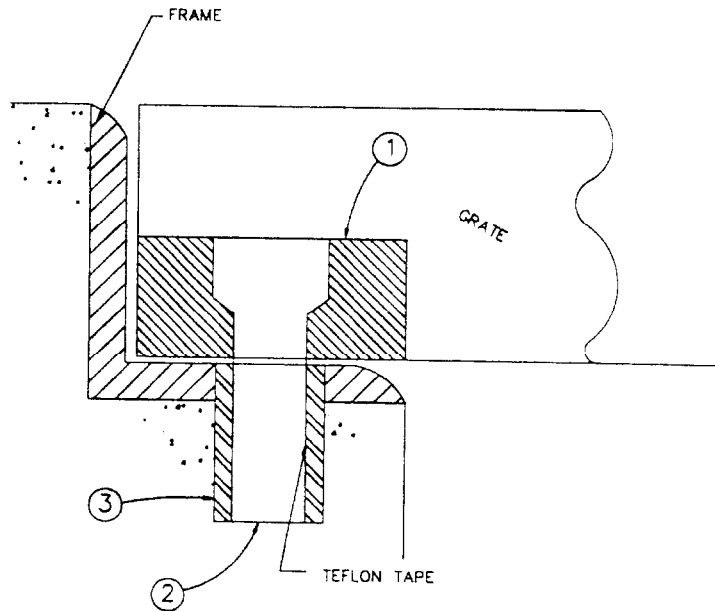
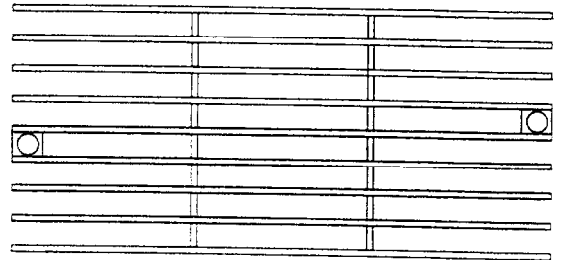
NOTES:

- ① USE 3/4" THICK STEEL BAR. DRILL 1/2" HOLE & COUNTERSINK WITH 3/4" DRILL 3/8" DEEP. WELD TO GRATE. PAINT TO PREVENT RUST.
- ② 1/2" DIA. ALLEN BOLT.
- ③ USE 1/2" CONCRETE ANCHOR OR 1/2" THREADED RECEIVER WELDED TO FRAME.

IF THERE ARE AN EVEN NUMBER OF BARS IN THE GRATE, INSTALL THE HOLD-DOWNS IN THE CENTER SPACE.



IF THERE ARE AN ODD NUMBER OF BARS IN THE GRATE, INSTALL THE HOLD-DOWNS ON OPPOSITE SIDES OF THE CENTER BAR.



CITY OF MURRIETA
DEPARTMENT OF DEVELOPMENT SERVICES

REVISIONS	
5/92	APPROVED

**MISCELLANEOUS INLET
 DETAILS AND NOTES**

STD. NO.
407d