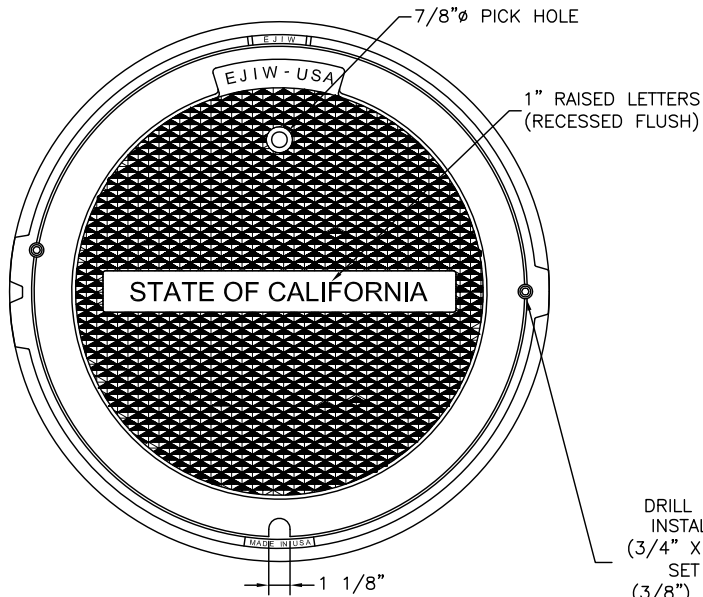
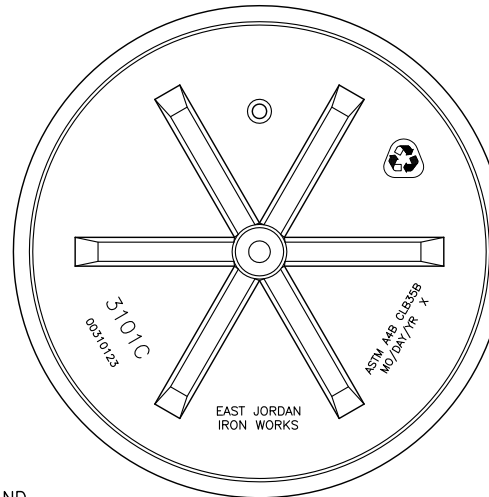


LB 1534/X-101 ASSEMBLY: STATE OF CALIFORNIA
(GALVANIZED COATING)

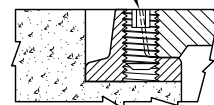


PLAN VIEW

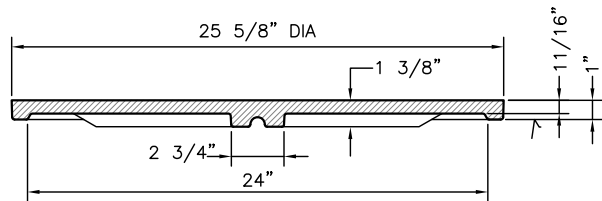


BOTTOM VIEW

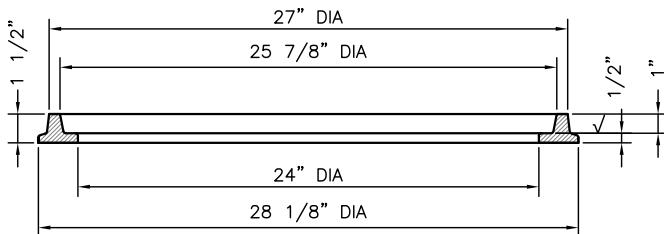
DRILL AND TAP HOLE AND
INSTALL 20mm X 32mm
(3/4" X 1 1/4") SS SOCKET
SET SCREW W/ 10mm
(3/8") RECESSED HEX HOLE
ALL THREAD TO BE NC
*TWO (2) LOCATIONS



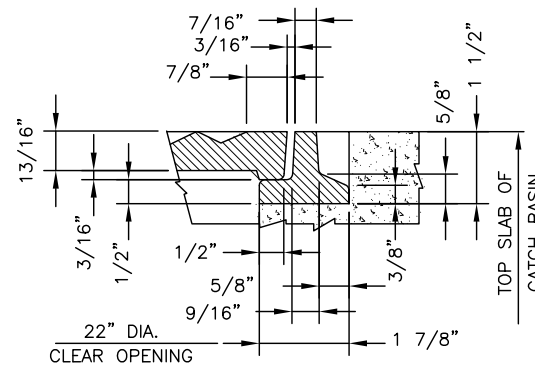
LOCKING DEVICE



COVER SECTION



FRAME SECTION



SEATING DETAIL

DIMENSIONAL TOLERANCES SHALL BE $\pm 1/8$ "
CASTING SHALL EXCEED PROOFLoad OF 28,600 LBS.

CONFIDENTIAL: This drawing is the property of EJ Group, Inc. and embodies confidential information, trade secret information, and/or know how that is the property of EJ Group, Inc. © Copyright 2012 East Jordan Iron Works, inc.

EJIW EAST JORDAN
IRON WORKS EST. 1883

800-626-4653
www.ejiw.com
MADE IN USA



LBIW Inc.

2020 WEST 14TH STREET
LONG BEACH, CA. 90813
Tel No. : (562) 432.5451
Fax No. : (562) 435.5929

www.lbiw.com

*STATE OF CALIFORNIA
DEPARTMENT OF TRANSPORTATION
*CATCH BASIN MANHOLE
FRAME AND COVER

PRODUCT NUMBER

LB 1534 / X101
EJCO 00310101

ESTIMATED WEIGHTS

COVER: 105 LBS (48 Kg)
FRAME: 38 LBS (17 Kg)
UNIT: 143 LBS (65 Kg)

Weights may vary
Minus 5%, Plus 10%

MATERIALS SPECIFICATIONS

COVER: GRAY IRON
ASTM A48 CL35B
FRAME: GRAY IRON
ASTM A48 CL35B

COATING

GALVANIZED COATING
*GREENBOOK SPPWC (APWA)
PARAGRAPH 210-3. "GALVANIZING"
AASHTO M111/ASTM A123

DESIGN LOAD RATING

LIGHT DUTY (NON-TRAFFIC)

✓ DESIGNATES MACHINED
SURFACE

Drawn:

GRA

Date:

06-16-16

COMPONENT INFORMATION

00311024 COVER
00311012 FRAME