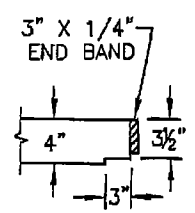
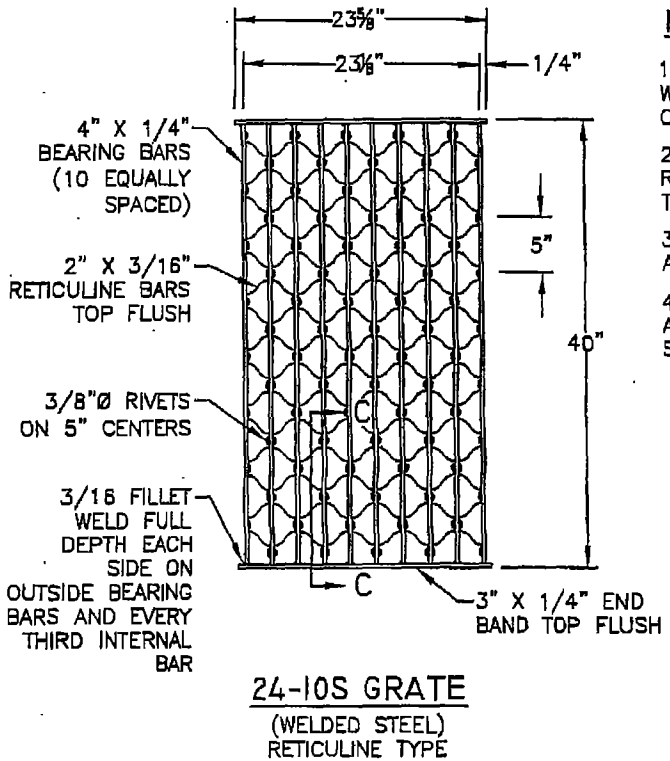


**NOTES:**

1. GRATE TYPE NUMBERS REFER TO WIDTH OF GRATE IN INCHES AND NUMBER OF BARS, RESPECTIVELY.
2. CROSS BARS MAY BE FILLET WELDED, RESISTANCE WELDED OR ELECTROFORGED TO BEARING BARS.
3. ROUNDED TOP OF BARS OPTIONAL ON ALL GRATES.
4. ALL GRATES SHALL BE GALVANIZED IN ACCORDANCE WITH SECTION 75-1.05 OF THE STANDARD SPECIFICATIONS.



REVISION	BY	DATE	APP. BY COUNCIL

<b>CITY OF CHICO</b>		<b>STANDARD PLAN</b>	
DRAWN BY: <u>GL</u>	DATE: <u>1/05</u>	<b>GRATE DETAILS (CAL TRANS          STANDARD D-77-A &amp; D-77-B)</b>	NO. <b>S-7</b>
CHECKED BY: <u>MJ</u>	SCALE: <u>NONE</u>		
APPROVED:	DIRECTOR OF ENGINEERING		
		SHEET 3 OF 4	