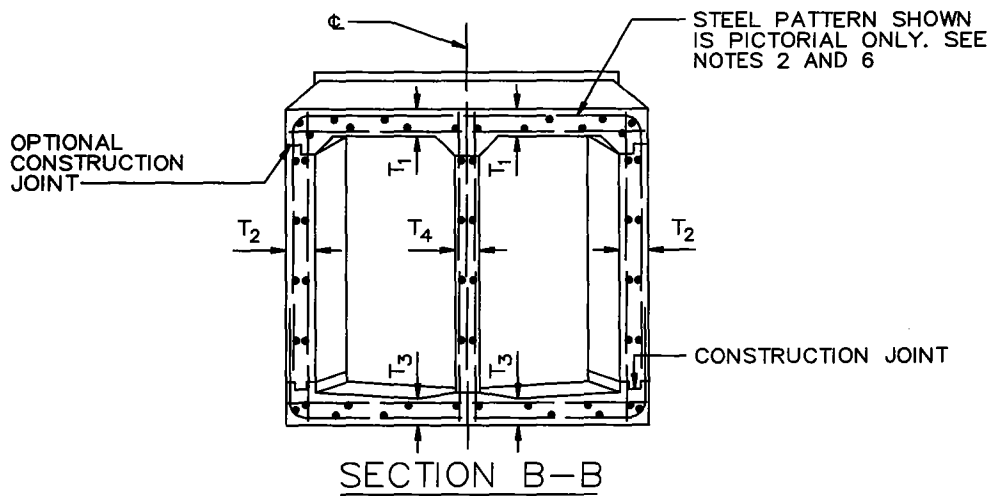
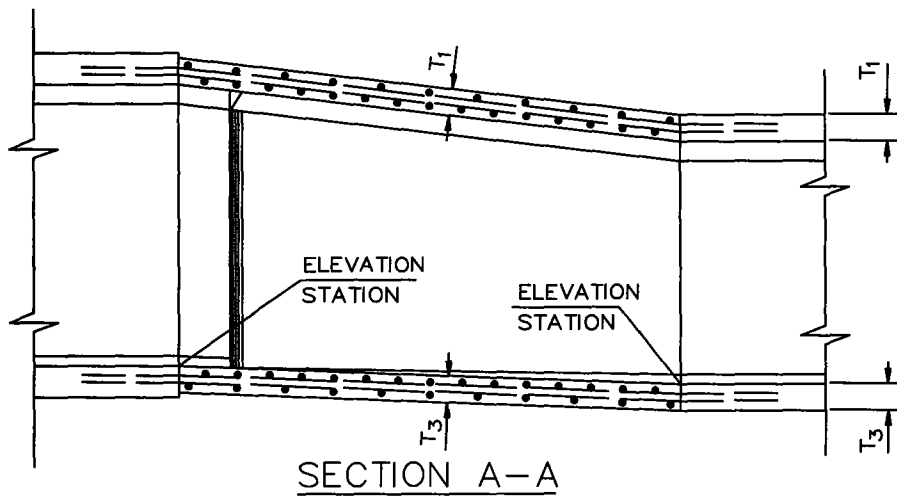
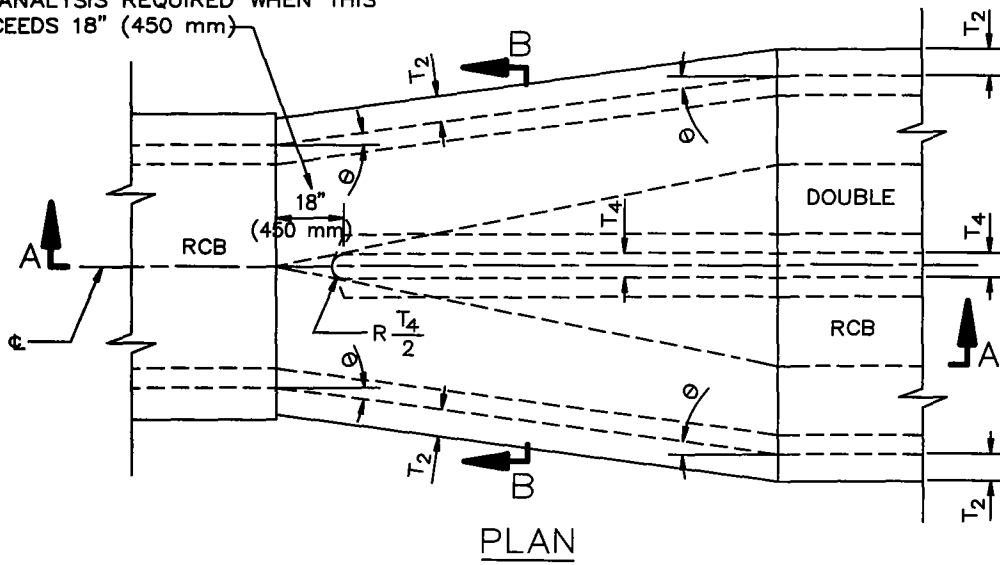


STRUCTURAL ANALYSIS REQUIRED WHEN THIS DIMENSION EXCEEDS 18" (450 mm)



STANDARD PLANS FOR PUBLIC WORKS CONSTRUCTION

PROMULGATED BY THE
PUBLIC WORKS STANDARDS INC.
GREENBOOK COMMITTEE
1992
REV. 1995, 2009

**TRANSITION STRUCTURE
SINGLE RCB TO DOUBLE RCB**

USE WITH STANDARD SPECIFICATIONS FOR PUBLIC WORKS CONSTRUCTION

STANDARD PLAN

343-2

SHEET 1 OF 2