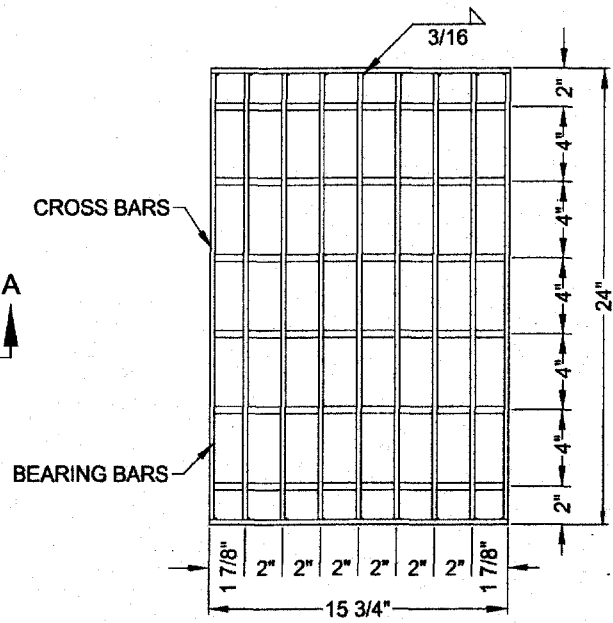
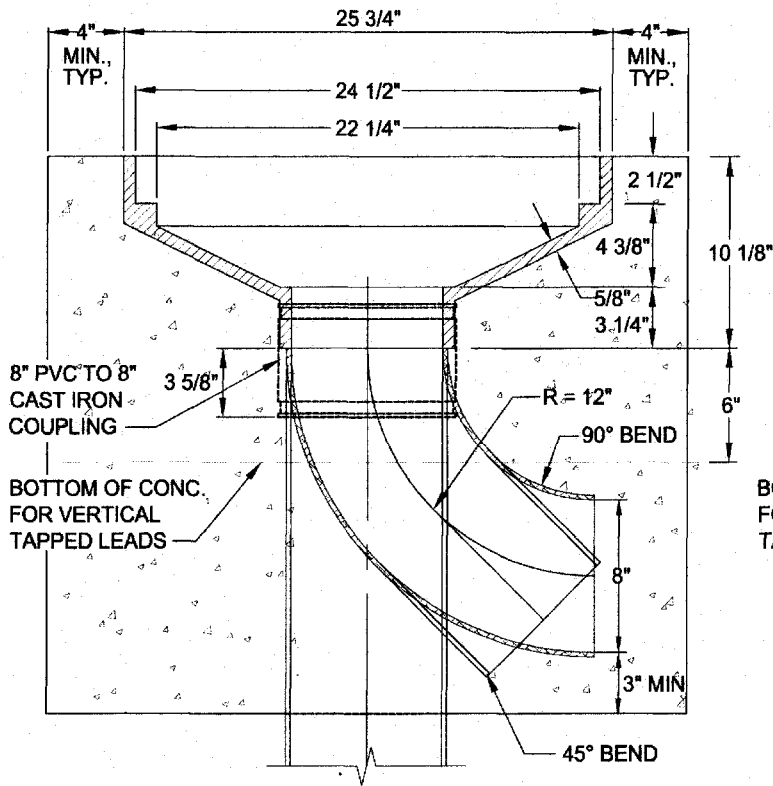


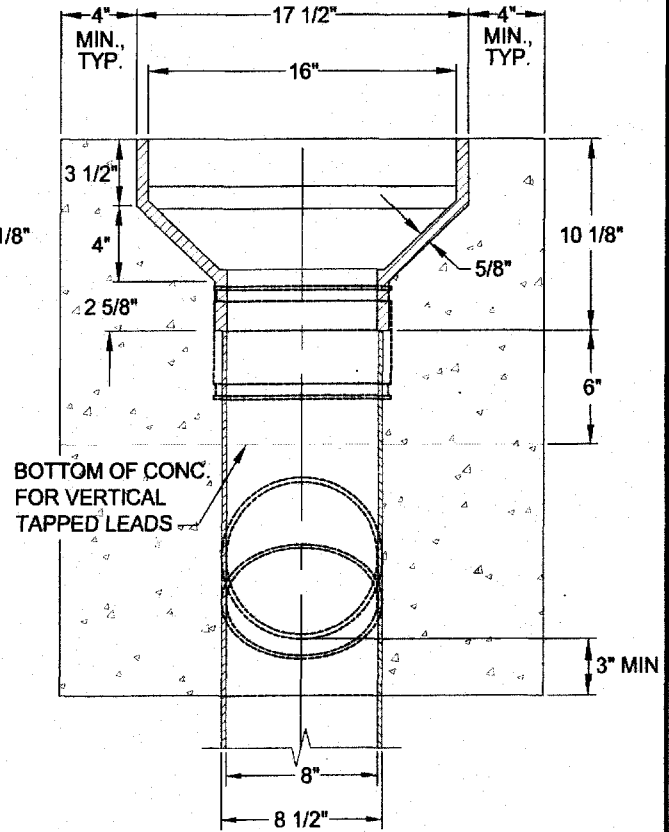
PLAN



GRATE PLAN



SECTION A-A



SECTION B-B

NOTES:

- 1) PIPE & FITTINGS SHALL BE SDR 35 PVC.

REV.	DATE	DESCRIPTION

R:\Utilities\City_Stds_Details\Sewer_Drainage\S-42