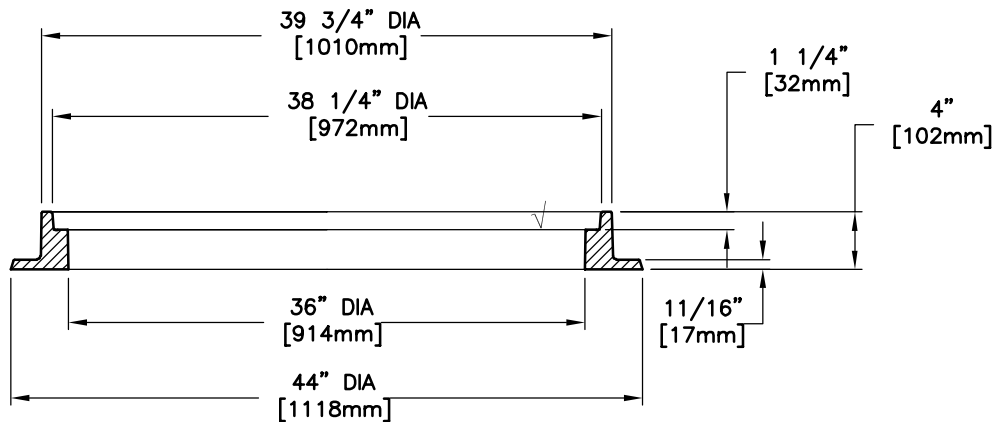


PLAN VIEW



SECTION VIEW

**EJIW EAST JORDAN**  
IRON WORKS EST. 1883

800-626-4653  
www.ejiw.com  
MADE IN USA

PRODUCT NUMBER

**00310614**

CATALOG NUMBER

**3106Z1**

**LBIW X106  
MANHOLE FRAME**

LOAD RATING

**HEAVY DUTY**

COATING

**DIPPED**

ESTIMATED WEIGHT

FRAME: 240 LBS 109kg

MATERIAL SPECIFICATION

FRAME - GRAY IRON  
ASTM A48 CL35B

OPEN AREA  
N/A

√ DESIGNATES MACHINED  
SURFACE

DRAWN  
TCL

DATE  
04/02/03

LAST REVISED  
DEW

DATE  
12/13/06

REFERENCE INFORMATION

00310614