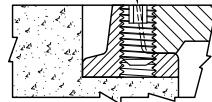
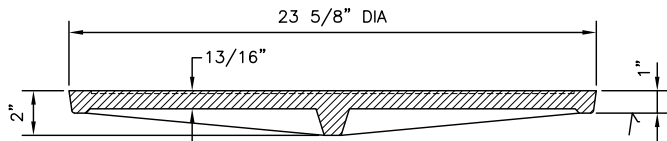


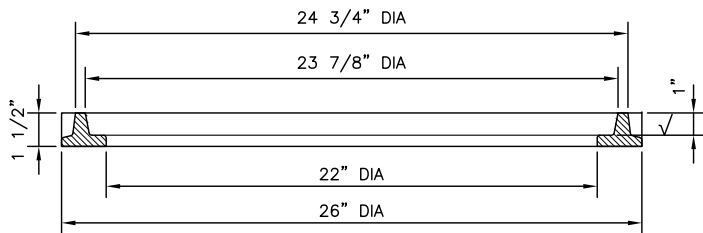
DRILL AND TAP HOLE AND
INSTALL 20mm X 32mm
(3/4" X 1 1/4") SS SOCKET
SET SCREW W/ 10mm
(3/8") RECESSED HEX HOLE
ALL THREAD TO BE NC
*TWO (2) LOCATIONS



LOCKING DEVICE

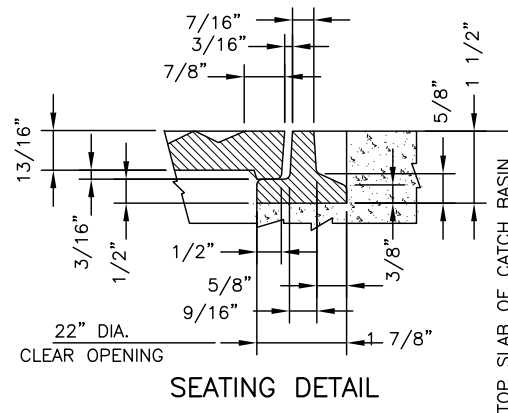


COVER SECTION



FRAME SECTION

DIMENSIONAL TOLERANCES SHALL BE $\pm 1/8$ "
CASTING SHALL EXCEED PROOFLOAD OF 28,600 LBS.



EJIW EAST JORDAN
IRON WORKS EST. 1883

800-626-4653

WWW.ejiw.com

MADE IN USA



LBIW Inc.

2020 WEST 14TH STREET
LONG BEACH, CA, 90813

Tel No.: (562) 432-5451

Fax No.: (562) 435-5929

www.lbiw.com

SPPWC (APWA) 312-4
CATCH BASIN
MANHOLE FRAME AND COVER

SDRSD M-02
24" MANHOLE FRAME AND COVER
LIGHT DUTY

PRODUCT NUMBER

LB 1530 / W311007

ESTIMATED WEIGHTS

COVER: 30 LBS.

FRAME: 110 LBS.

UNIT: 140 LBS.

SPECIFICATIONS

COVER: GRAY IRON
ASTM A48 CL35B

FRAME: GRAY IRON
ASTM A48 CL35B

OPEN AREA
N/A

✓ DESIGNATES MACHINED
SURFACE

DRAWN:

GRA

DATE:

11-03-15

LAST REVISED:

DATE:

REFERENCE INFORMATION

00311020

00311012