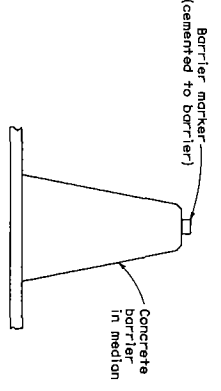
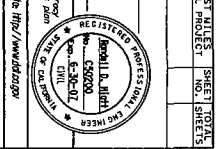


0151	COUNTY	ROUTE	POST MILES TOTAL PROJECT	SHEET TOTAL NO. SHEETS

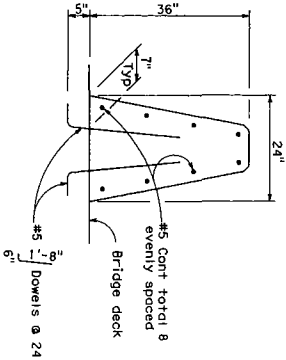
REGISTERED CIVIL ENGINEER

May 1, 2006  
 PLANS APPROVAL DATE  
 The State of California or the office of the State Engineer or the State Board of Equalization is not responsible for the accuracy or completeness of any information or data shown on these plans. To get the details and all go to the file://www.dgs.ca.gov



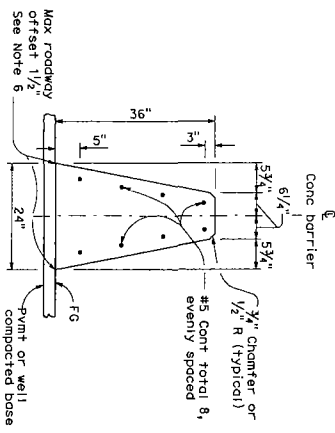
CONCRETE BARRIER TYPE 60 DELINEATION

See Notes 7 and 8



CONCRETE BARRIER TYPE 60A

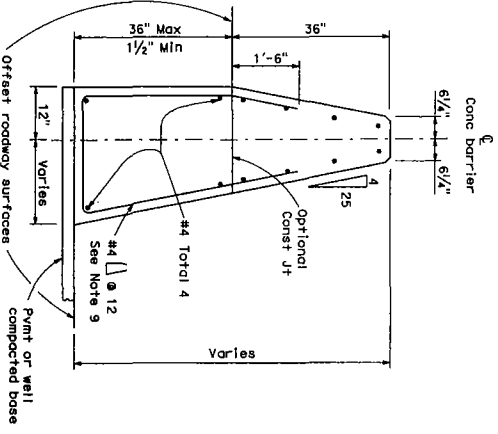
Details similar to Type 60 except as noted.



CONCRETE BARRIER TYPE 60

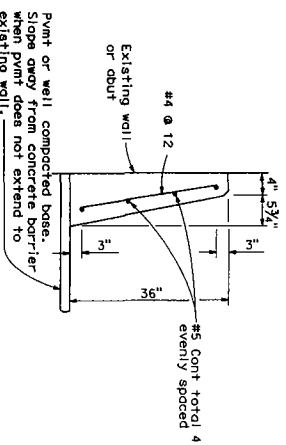
NOTES:

1. See Standard Plan A768 for details of Concrete Barrier Type 60 end anchors, connection to structures and transitions to Concrete Barrier Type 50 and Concrete Barrier Type 60S.
2. See Standard Plan A76c for Concrete Barrier Type 60 transitions of bridge column and sign pedestals.
3. Where glare screen is required on Concrete Barrier Type 60, use Concrete Barrier Type 60c.
4. Where the concrete barrier is added to the face of existing concrete structure, match existing weep holes.
5. Expansion joints in concrete barrier shall be located at all deck, pavement and principal wall joints. Expansion joint filler material shall be the same size as joint or 1/2" minimum.
6. Where roadway offset is greater than 1 1/2", see Concrete Barrier Type 60c.
7. Barrier delineation to be used when required by the Special Provisions.
8. Spacing of barrier markers to match spacing of raised pavement markers on the adjacent median edge line pavement delineation.
9. Reinforcing stirrup not required for roadway offsets less than 1'-0".



CONCRETE BARRIER TYPE 60C

Details similar to Type 60 except as noted. Concrete barrier end anchor when necessary.



CONCRETE BARRIER TYPE 60D

Paint or well compacted base. Slope away from concrete barrier when paint does not extend to existing wall.