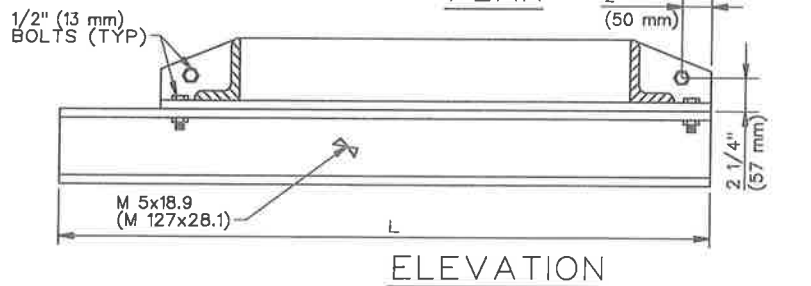
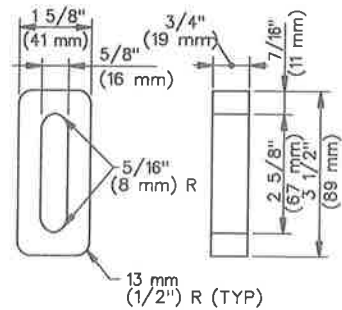
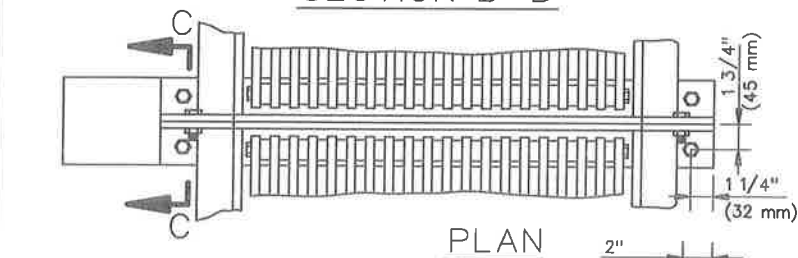


STANDARD 1/2" (13 mm) PIPE INTERIOR SPACERS



END SPACERS



STANDARD PLANS FOR PUBLIC WORKS CONSTRUCTION

PROMULGATED BY THE  
PUBLIC WORKS STANDARDS INC.  
GREENBOOK COMMITTEE  
1984

REV. 1993, 1996, 2009, 2021

# FRAME AND GRATING FOR CATCH BASINS

USE WITH STANDARD SPECIFICATIONS FOR PUBLIC WORKS CONSTRUCTION

STANDARD PLAN

311-4

SHEET 1 OF 2

NOTES:

1. ALL PARTS SHALL BE STEEL, EXCEPT THAT END SPACERS MAY BE CAST IRON.
2. ALL PARTS SHALL BE GALVANIZED AFTER FABRICATION, EXCEPT THAT GRATINGS SHALL BE ASSEMBLED AFTER COMPONENT PARTS ARE GALVANIZED.
3. ALL DIMENSIONS ARE FINISHED DIMENSIONS AND INCLUDE GALVANIZING.
4. ALL BOLT HOLES SHALL BE 16 mm (5/8") DIAMETER.
5. ALL THREADS SHALL BE NATIONAL COARSE SERIES (NC).
6. CENTER SUPPORT ASSEMBLY REQUIRED WHEN TWO OR MORE GRATINGS ARE SPECIFIED ON PLANS.
  - L = 64" (1626 mm) FOR CURB OPENING CATCH BASIN WITH GRATING(S) AND DEBRIS SKIMMER (SPPWC 301).
  - L = 44" (1118 mm) FOR CURB OPENING CATCH BASIN WITH GRATING(S) (SPPWC 302.)
  - L = 36" (914 mm) FOR CURBSIDE GRATING CATCH BASIN (SPPWC 303).
  - L = 36" (914 mm) FOR GRATING CATCH BASIN-ALLEY (LONGITUDINAL) (SPPWC 304).

STANDARD PLANS FOR PUBLIC WORKS CONSTRUCTION

**FRAME AND GRATING FOR CATCH BASINS**

STANDARD PLAN

**311-4**

SHEET 2 OF 2