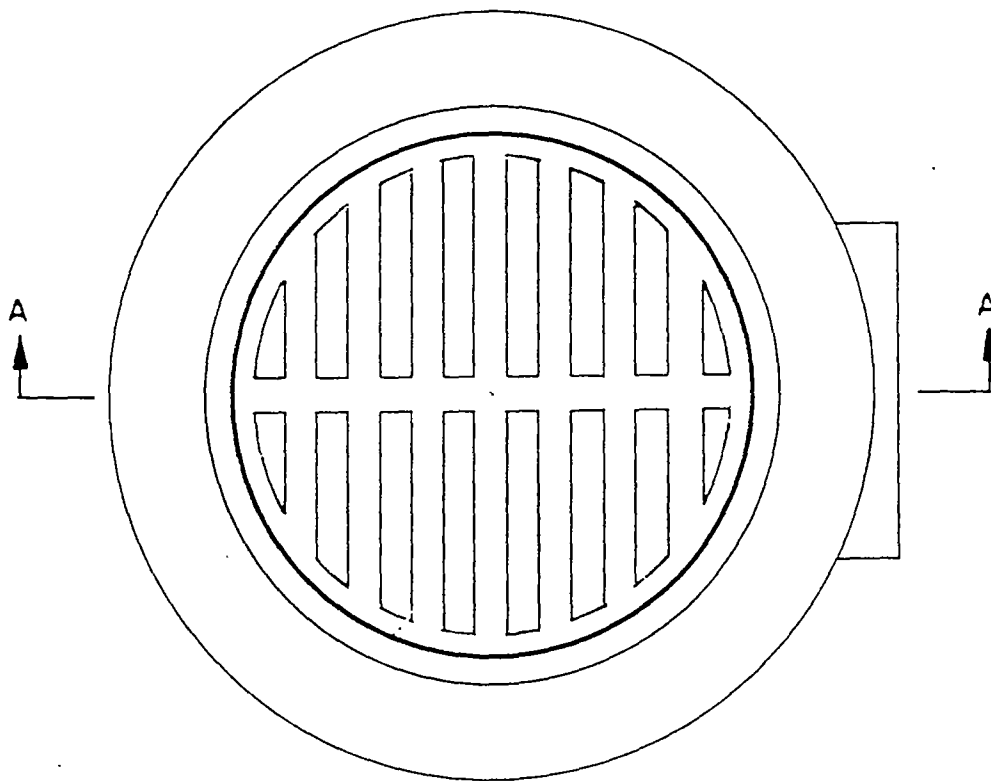


SECTION A-A



PLAN VIEW

NOTE:

1. Drain to be Alhambra Foundry No. A-372-4 or approved equal.
2. For large areas use additional drains.

CITY OF COLTON  
PUBLIC WORKS DEPARTMENT

PARKING LOT DRAIN

Drawn by V. GILL	Date 1-15-68	Drawing No. <b>208</b>
Checked by	Scale None	
Approved by <i>John Quinn</i>		Approved by <i>Off. Burnett</i>