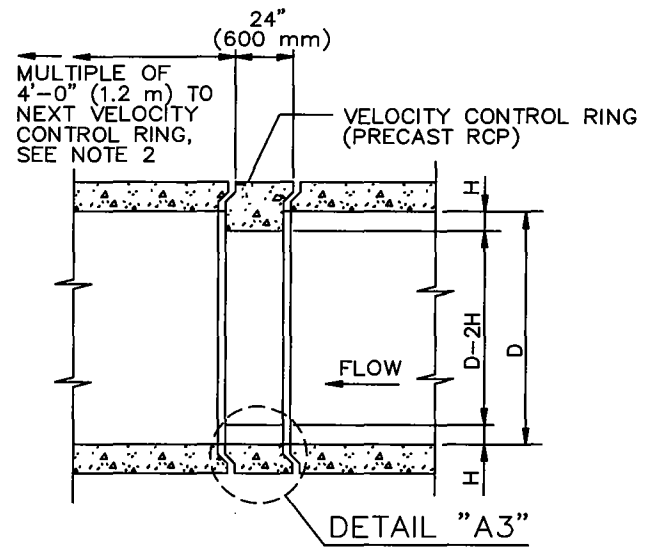
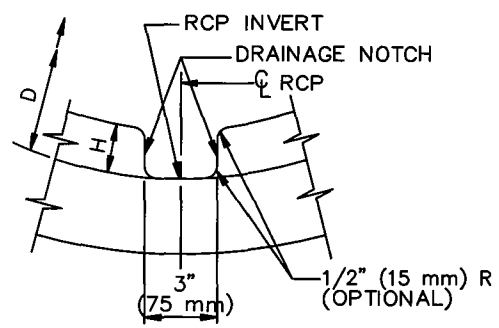


NOTE:
PLATE AND ANCHOR BOLTS NOT SHOWN.

PRECAST RCP SECTION
LOOKING UPSTREAM

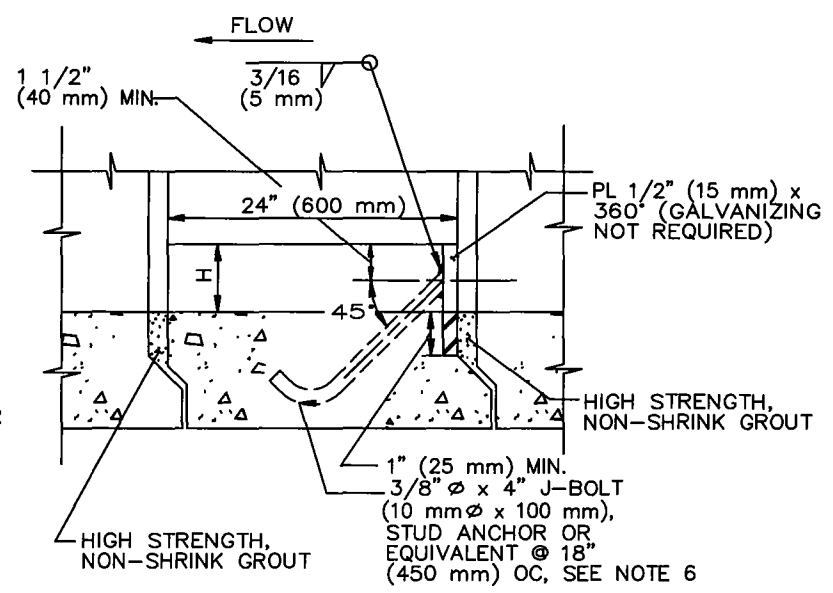


SECTION A1-A1



DETAIL "A2"

NOTE:
PLATE AND ANCHOR BOLTS NOT SHOWN.



DETAIL "A3"

STANDARD PLANS FOR PUBLIC WORKS CONSTRUCTION

PROMULGATED BY THE
PUBLIC WORKS STANDARDS INC.
GREENBOOK COMMITTEE
1993
REV. 1995, 2009

**VELOCITY CONTROL RING
PRECAST RCP SECTION**

USE WITH STANDARD SPECIFICATIONS FOR PUBLIC WORKS CONSTRUCTION

STANDARD PLAN

383-2

SHEET 1 OF 2