

EAST JORDAN
IRON WORKS, INC.
P.O. BOX 439
EAST JORDAN, MI. 49727
1-800-874-4100
FAX 231-536-4458

DRAWN JIJ	DATE 04/15/02
--------------	------------------

APPROVED	DATE
----------	------

MANHOLE COVER
LBIW X100

PRODUCT NO.

00310020

CATALOG NO.

3100A

REF. PRODUCT DRAWING

00310020

EST. WT.

COVER: 162 LBS 73kg

OPEN AREA

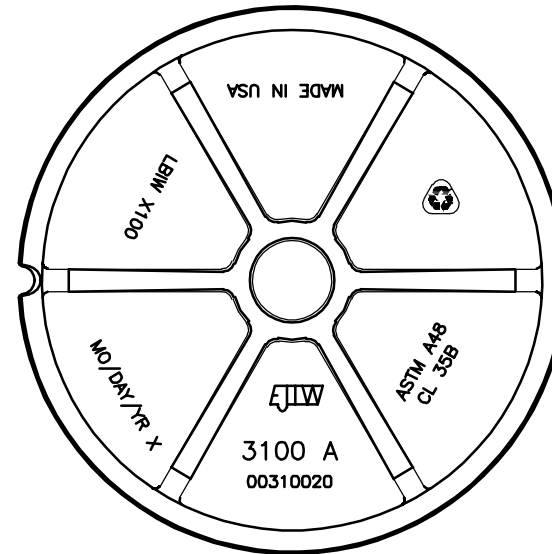
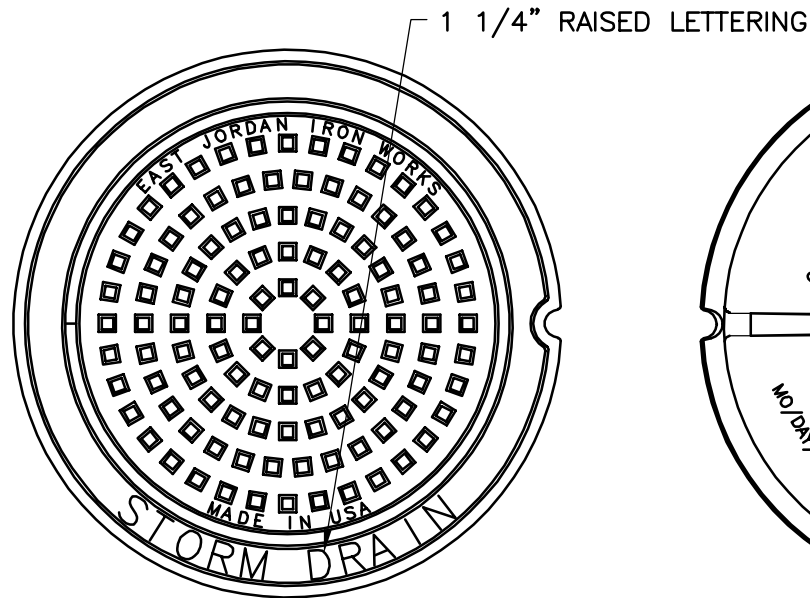
N/A

MAT'L SPEC.

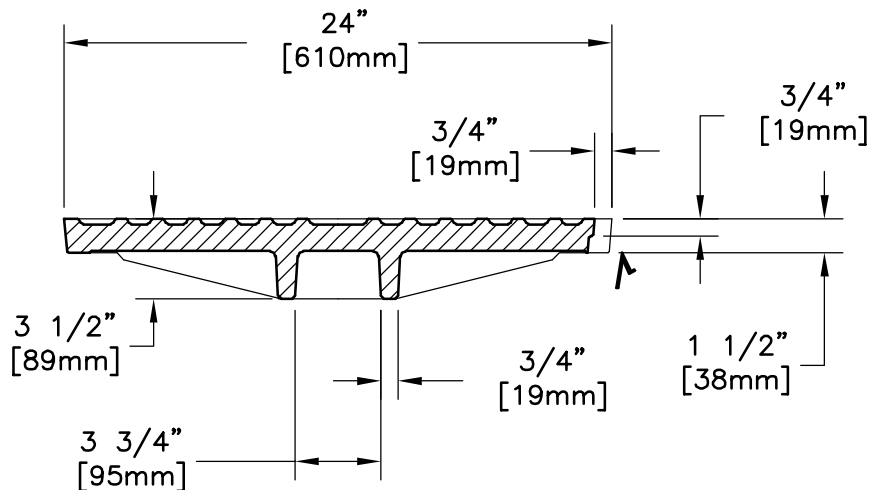
COVER - GRAY IRON
ASTM A48 CL35B

LOAD RATING

HEAVY DUTY

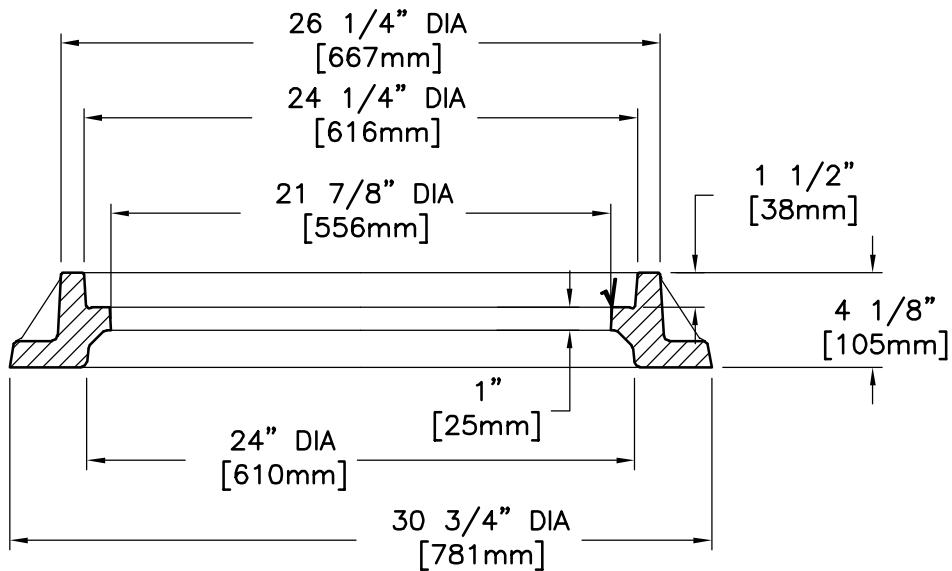
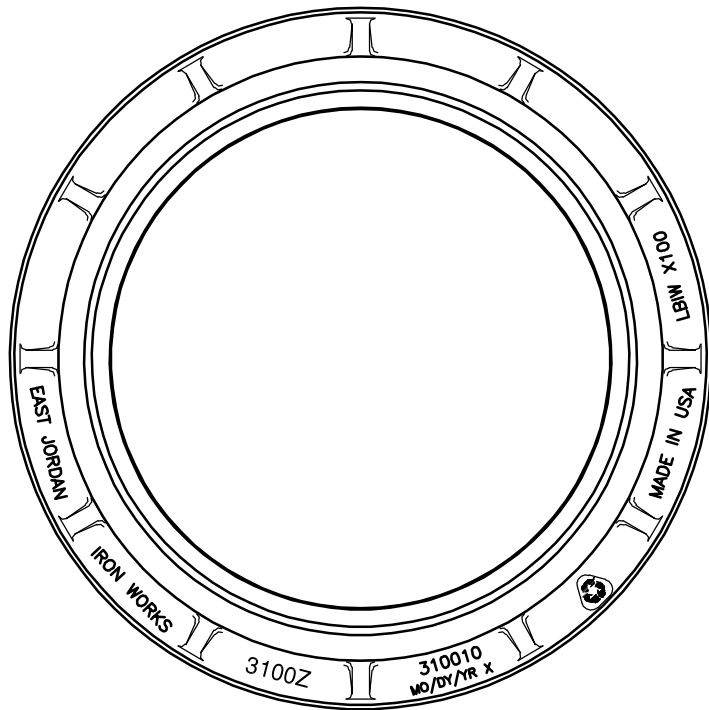


BOTTOM VIEW



SECTION

√ MACHINED SURFACE



SECTION

√ MACHINED SURFACE

**EAST JORDAN
IRON WORKS, INC.**
P.O. BOX 439
EAST JORDAN, MI. 49727
1-800-874-4100
FAX 231-536-4458

DRAWN JIJ	DATE 04/15/02
--------------	------------------

APPROVED	DATE
----------	------

MANHOLE RING
LBIW X100

PRODUCT NO.

00310010

CATALOG NO.

3100Z

REF. PRODUCT DRAWING

00310010

EST. WT.

RING: 186 LBS 84kg

OPEN AREA

N/A

MAT'L SPEC.

RING - GRAY IRON
ASTM A48 CL35

LOAD RATING

HEAVY DUTY