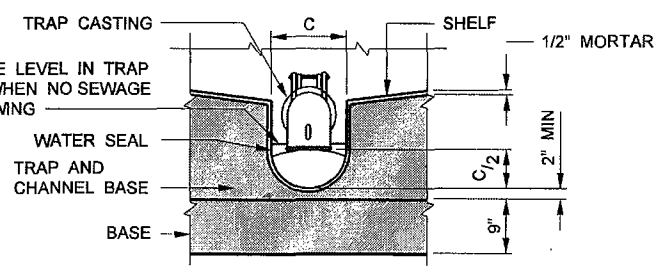
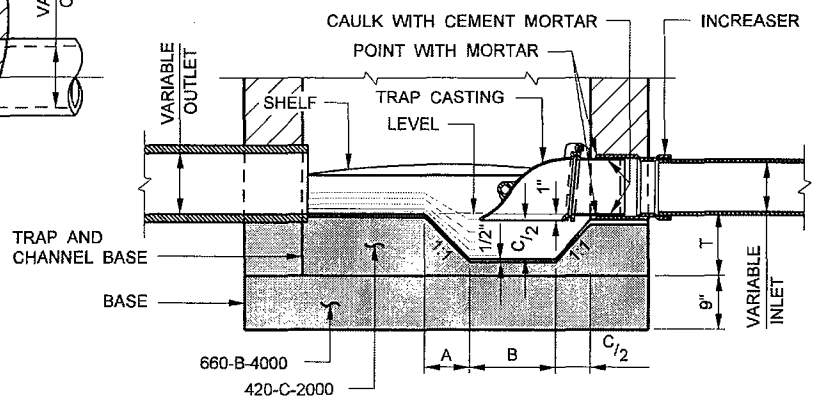


PLAN - SINGLE TRAP BASE



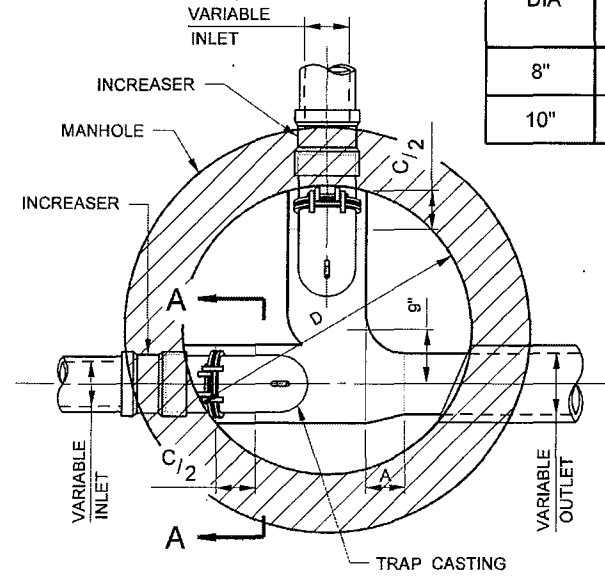
SECTION A-A



SECTION B-B

TABLE OF DIMENSIONS						
INLET DIA	INLET INCREASER	TRAP SIZE	TRAP PER	DIA OF MANHOLE BASE (D)		
				OUTLET DIAMETER		
				8"	10"	12"
8"	8" x 10"	10"	S-a-211	4'	4'	4'
10"	10" x 12"	12"	S-a-211	—	4'	4'

(FOR 12" INLETS AND LARGER SEE CONSTRUCTION DRAWINGS)



PLAN - DOUBLE TRAP BASE

TRAP BASE DIMENSIONS					
TRAP DIA	A	B	C	A + B + C/2	T MIN
10"	7 1/2"	14 1/2"	13"	28 1/2"	9"
12"	8 1/2"	16 1/2"	15"	32 1/2"	10"

NOTES:

1. WHERE A TRAP IS NECESSARY IN AN EXISTING STRUCTURE, BREAK OUT CONCRETE AND CONSTRUCT NEW BASE.
2. FOR GENERAL NOTES AND CONSTRUCTION DETAILS OF BRICKWORK, SEE S-a-201.

COUNTY SANITATION DISTRICTS OF LOS ANGELES COUNTY
OFFICE OF CHIEF ENGINEER

STEPHEN R. MAGUIN
CHIEF ENGINEER

STANDARD TRAP MANHOLE BASE

STANDARD DRAWING
2006 EDITION
S - a - 210
SHEET 1 OF 1