

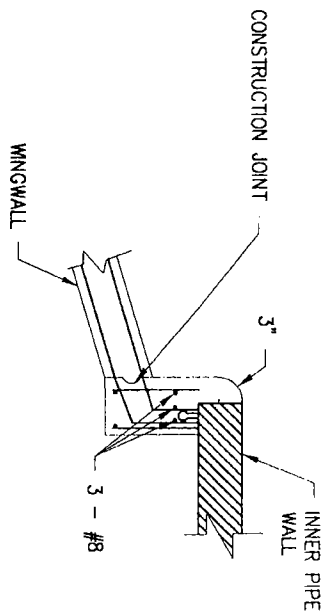
NOTE
 SEE DWG 9-26G FOR EMBEDMENT OF TRASH RACK COMPONENTS PRIOR TO POURING CONCRETE

David Bell
 DIRECTOR, DEPARTMENT OF WATER RESOURCES

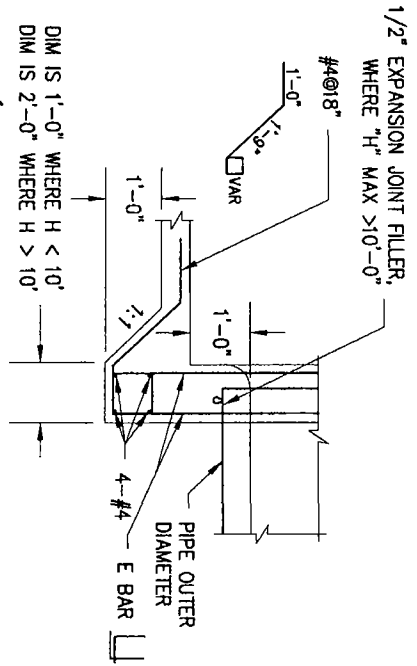
SACRAMENTO COUNTY
 MUNICIPAL SERVICES AGENCY
**PIPE HEADWALL, ENDWALL
 WINGWALL STRUCTURE**

DRAWN BY: B. FORESTER
 SCALE: NONE
 DATE: 11/06

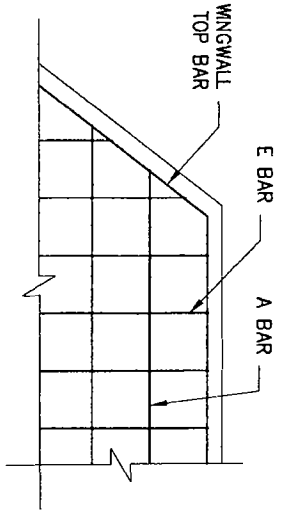
9-26H
 SHEET 1 OF 3



DETAIL A



DETAIL B



DETAIL C

NOTES

- 1 PLACE #5 REBAR ON DIAGONALS @ 4" FROM PIPE OD.
- 2 PIPE CONNECTIONS SHALL CONFORM TO ASTM C-923. UNITS SHALL INCLUDE A WATER STOP.
- 3 CHAMFER ALL EXPOSED EDGES 3/4".
- 4 ALL STEEL MINIMUM 2" FROM CONCRETE EDGES.
- 5 ALL LAP SPLICES MINIMUM 12".

HEADWALL DIMENSIONS

PIPE DIA	PIPE OD	W	H _{min}	T*	L _{min}
24"	30"	4'-6"	4'-8"	8"	2'-9"
27"	33.5"	4'-6"	4'-10"	8"	3'-0"
30"	37"	4'-6"	5'-3"	8"	3'-3"
33"	40.5"	4'-6"	5'-9"	8"	3'-6"
36"	44"	5'-6"	5'-9"	8"	3'-9"
42"	51"	6'-6"	6'-6"	8"	4'-3"
48"	58"	7'-6"	7'-5"	10"	5'-3"
54"	65"	9'-6"	7'-7"	10"	5'-9"
60"	72"	10'-6"	8'-3"	10"	6'-0"
72"	86"	12'-6"	9'-8"	10"	7'-3"

*T IS TO BE 10" IF A HAND RAILING IS PLACED ON THE WALL STRUCTURE.

REINFORCING STEEL DIMENSIONS AND DATA

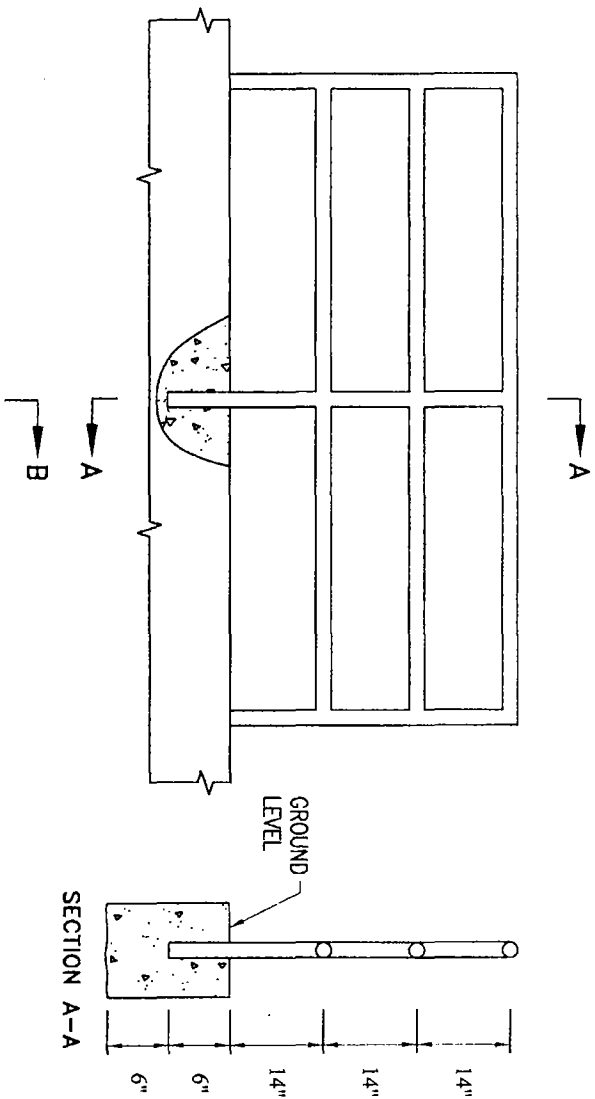
	A BAR	B BAR	C BAR	D BAR	E BAR	WINGWALL TOP BAR
H ≤ 7'	#4@12"OC	#4@12"OC	#4@12"OC	#4@12"OC	#4@12"OC	#4
7' < H ≤ 8'	#4@12"OC EF	#4@12"OC EF	#4@12"OC EF	#4@12"OC EF	#4@12"OC EF	#4
8' < H ≤ 10'	#5@12"OC EF	#5@6"OC EF	#5@12"OC EF	#5@12"OC EF	#5@12"OC EF	#5

David DelVina
 DIRECTOR, DEPARTMENT OF WATER RESOURCES

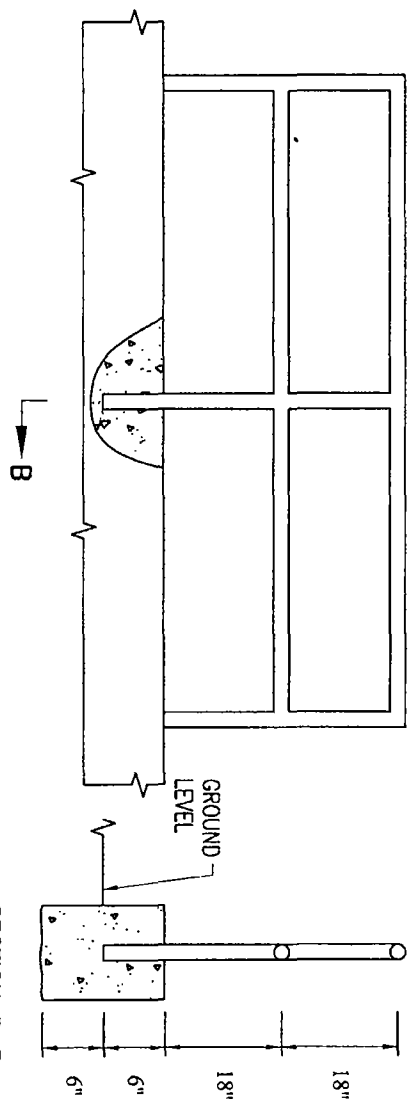
SACRAMENTO COUNTY
 MUNICIPAL SERVICES AGENCY
**PIPE HEADWALL, ENDWALL
 WINGWALL STRUCTURE**

DRAWN BY: STAFF
 SCALE: NONE
 DATE: 0307

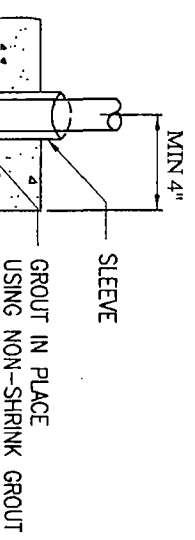
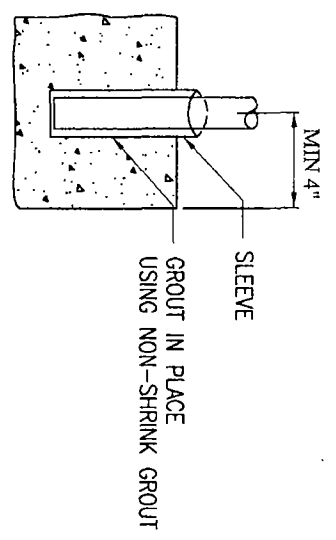
9-26H
 SHEET 2 OF 3



SECTION A-A



SECTION B-B



- GENERAL NOTES:**
1. GUARDRAIL - 1 1/2" SEAMLESS STEEL PIPE ASTM 53 GRADE B, HOT DIP GALVANIZED. PAINT COLOR (IF NEEDED) TO BE SPECIFIED ON PLANS AT NO EXTRA COST.
 2. ALL GUARDRAIL WELDS 3/8" FILLET GROUND SMOOTH.
 3. MAXIMUM SPACING OF POSTS SHALL BE 6'.
 4. TO BE SHOWN ON IMPROVEMENT PLANS FOR PLACEMENT.

Richard Dalton
 DIRECTOR, DEPARTMENT OF WATER RESOURCES

SACRAMENTO COUNTY
 MUNICIPAL SERVICES AGENCY
**PIPE HEADWALL, ENDWALL
 WINGWALL STRUCTURE**

DRAWN BY: S. PIMENTEL
 SCALE: NONE
 DATE: 04/07

9-26H
 SHEET 3 OF 3