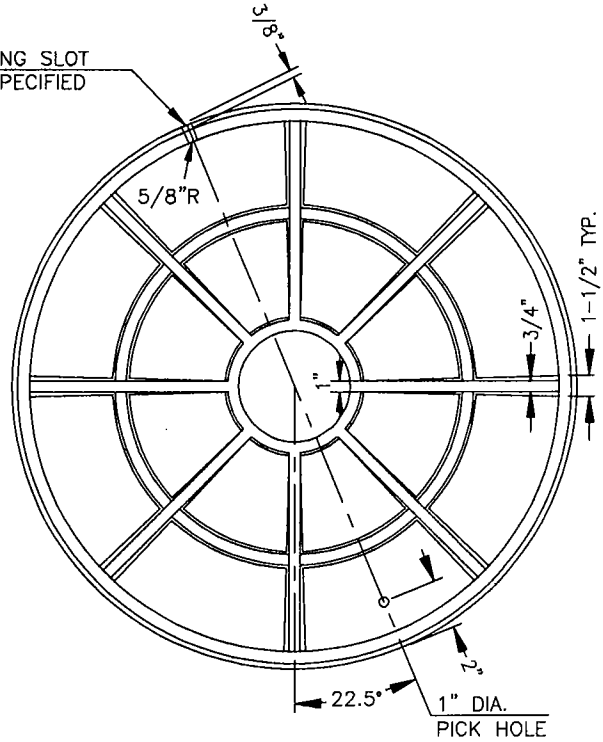
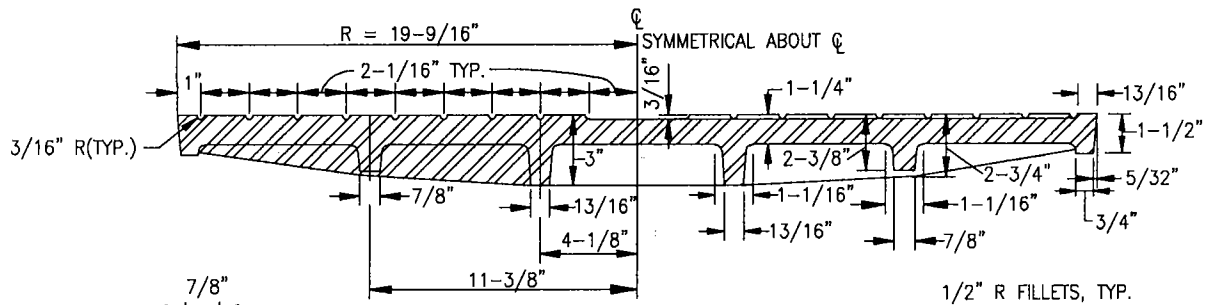


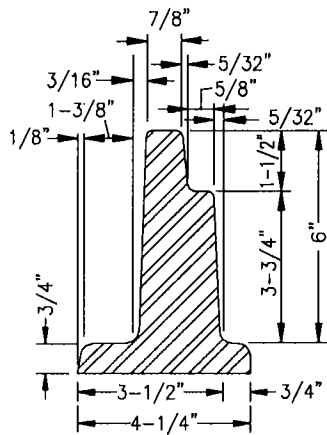
COVER FOR 36" CLEAR OPENING FRAME



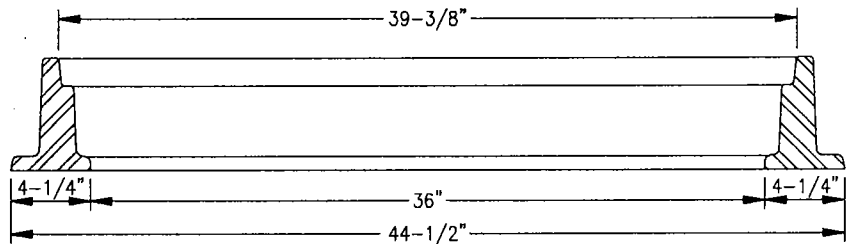
BOTTOM PLAN OF COVER



SECTION A-A



DETAIL OF FRAME



SECTION THRU FRAME

CITY OF CHINO HILLS		36-INCH MANHOLE FRAME AND COVER	203 1 OF 2
CHRIS VOGT CITY ENGINEER			

**NOTES:**

1. THE CAST IRON USED SHALL CONFORM WITH ASTM A-48 CLASS 35B.
2. THE FRAME AND COVER SHALL BE COATED WITH ASPHALT OR BITUMINOUS PAINT AFTER TESTING AND INSPECTION.
3. COVERS SHALL BE CAST WITH THE LETTER "D" FOR STORM DRAINS AND "S" FOR SEWERS AND THE AGENCY'S IDENTIFICATION IN ACCORDANCE WITH INSTRUCTIONS FURNISHED BY THE AGENCY. THE LETTER "D" OR "S" SHALL BE APPROXIMATELY 2-1/2 INCHES HIGH WITH 1/2 INCH LINE WIDTH AND PLACED IN THE CENTER OF THE COVER. ALL LETTERS SHALL BE FLUSH WITH THE FINISHED SURFACE OF THE COVER.
4. FOUNDRY IDENTIFICATION MARK, HEAT AND DATE SHALL BE CAST ON THE BOTTOM OF THE COVER AND ON THE INSIDE OF THE FRAME.
5. IMPORTED COVERS AND FRAMES SHALL HAVE THE COUNTRY OF ORIGIN MARKING IN COMPLIANCE WITH FEDERAL REGULATIONS.
6. WEIGHT OF FRAME SHALL BE 425 POUNDS. WEIGHT OF COVER SHALL BE 480 POUNDS. ACTUAL WEIGHTS SHALL BE WITHIN A RANGE OF 95% TO 110%.
7. THE MANHOLE FRAME AND COVER SHALL BE INSPECTED BY THE ENGINEER PRIOR TO SHIPMENT TO THE JOB SITE. ACCEPTANCE WILL BE INDICATED BY THE AGENCY'S MARK.
8. THE PROOF-LOAD FOR TEST METHOD B OF THE STANDARD SPECIFICATIONS IS 49,700 POUNDS.
9. COVER FOR MANHOLES LOCATED IN EASEMENTS, ALLEYS, PARKWAYS AND ALL OTHER PLACES EXCEPT PAVED STREETS SHALL BE PROVIDED WITH SOCKET SET SCREW LOCKING DEVICES. DRILL AND TAP TWO HOLES TO A DEPTH OF 1=ONE INCH AT 90 DEGREES TO PICK HOLE AND INSTALL 3/4 INCH X 3/4 INCH STAINLESS STEEL SOCKET SET SCREWS WITH 3/8 INCH RECESSED HEX HEAD. ALL THREADS SHALL BE N.C.

CITY OF CHINO HILLS		36-INCH MANHOLE FRAME AND COVER	203 2 OF 2
	CHRIS VOGT CITY ENGINEER		