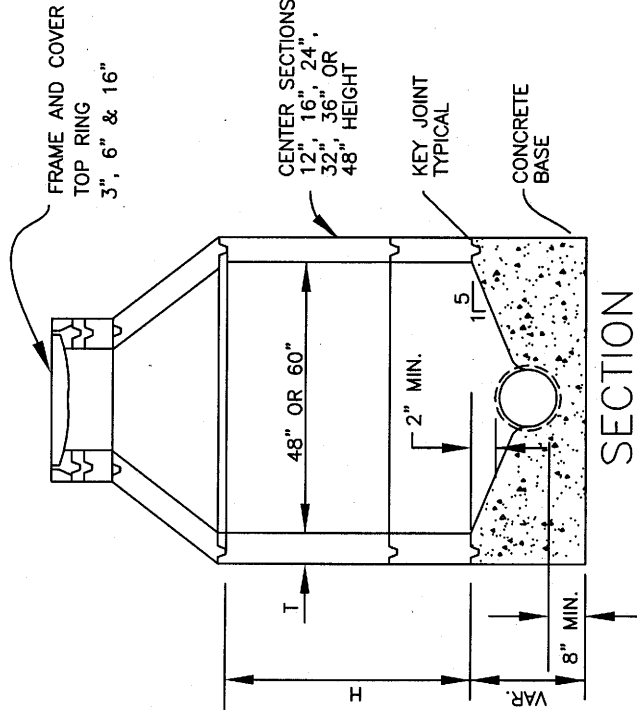
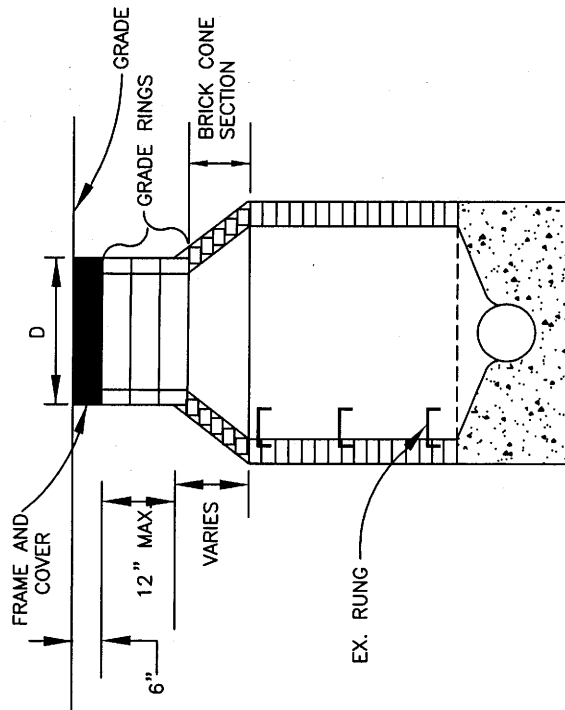


CONCENTRIC



**PRECAST CONCRETE
SEWER MANHOLES**



BRICK SEWER MANHOLES

REVISED	DATE	APPROVED	CITY OF SANTA BARBARA - PUBLIC WORKS DEPARTMENT	STANDARD DETAIL
		<i>Anthony J. De...</i>	SEWER MANHOLE ADJUSTMENT	5-006.0-06
		DIRECTOR		
		DATE		
		2/5/07		

NOTES:

1. GENERAL

- A. All concrete shall be 560-C-3250, all mortar shall be Class "D" per section 201.5.1 of the Standard Specifications for Public Works Construction (Green Book).
- B. Dimension "D" shall match the diameter of the frame and cover: either 24-inches or 30-inches.
- C. Manhole frame and cover shall be manufactured by Alhambra Foundry Company, LTD: A-1254-6 for 24" covers; A-1252 for 30" covers. If existing manhole frame and cover on manholes to be raised are not as specified, the Contractor shall replace the existing frame and cover with a new frame and cover furnished by the City.
- D. When required by the Engineer, existing rungs shall be removed to a depth of 2-inch beyond the inside face of the manhole. Existing voids left by the removal of these rungs shall be filled with mortar or a patching cement such as "Water Plug", or equal approved by the Engineer.
- E. Whenever precast concrete components are to be placed on any part of an existing brick manhole, these components shall be placed and secured by applying mortar. The depth, width, and thickness of the mortar shall be of sufficient dimensions to properly and adequately join and secure the components.
- F. Prior to any work on existing sewer manholes, the Contractor shall place a temporary false bottom inside of the manhole and shall install debris traps in downstream manholes.
- G. All manholes, brick or concrete, shall meet the dimensional requirements shown on Detail 5-006.0, Grade rings shall not exceed a total maximum height of 12-inches.

2. RAISING EXISTING PRECAST CONCRETE SEWER MANHOLES

To raise an existing frame and cover on a precast concrete sewer manhole, use a course of brickwork or concrete, grade rings, or a riser shaft unit.

3. RAISING EXISTING BRICK SEWER MANHOLES

To raise an existing frame and cover on an existing brick sewer manhole, use the method specified for raising a frame and cover on an existing precast sewer manhole, or install a new manhole as directed by the Engineer.

REVISED	DATE	APPROVED	CITY OF SANTA BARBARA - PUBLIC WORKS DEPARTMENT	STANDARD DETAIL
		<i>Anthony J. Dowd</i>	SEWER MANHOLE ADJUSTMENT - NOTES	5-006.1-06
		PUBLIC WORKS DIRECTOR		

NOTES: (CONTINUED)

4. LOWERING EXISTING PRECAST CONCRETE SEWER MANHOLES

To lower an existing frame and cover on a precast concrete sewer manhole, remove grade rings and/or riser shaft units. Replace the existing cone with a precast concrete eccentric cone unit if the existing cone is either concentric, deteriorated, or as directed by the Engineer.

5. LOWERING EXISTING BRICK SEWER MANHOLES

To lower an existing frame and cover on a brick sewer manhole, reset the frame and cover on existing bricks with mortar, remove a sufficient amount of bricks to install a precast concrete eccentric cone unit, or install a new sewer manhole as directed by the Engineer.

REVISED	DATE	APPROVED	CITY OF SANTA BARBARA - PUBLIC WORKS DEPARTMENT	STANDARD DETAIL
			SEWER MANHOLE ADJUSTMENT - NOTES	5-006.2-06
		PUBLIC WORKS DIRECTOR		